



# Rhino FAST FACTS...

## PD-140 Air Operated Post Driver & Accessories List

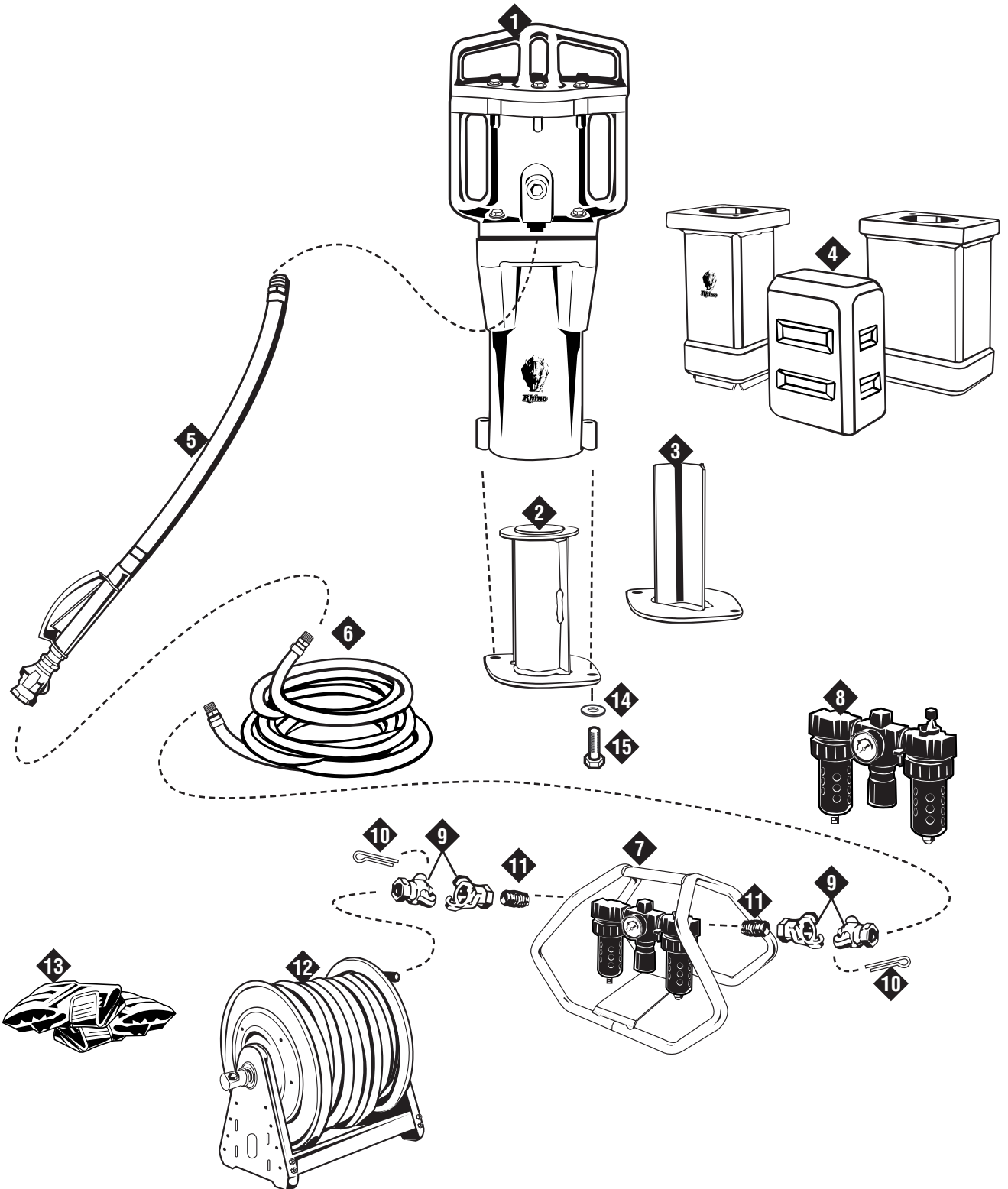
Illus. No.	Part No.	PD-140 Specifications
		<i>(All drivers are equipped with the exclusive Rhino Alloy, Double Valve Piston.)</i>
1	070015	PD-140 Heavy Duty Post Driver with a 4 1/4" (107.9 mm) I.D. Master Chuck, uses 64 CFM (1.81 m <sup>3</sup> /min) @ 100 psi (7 kg/cm <sup>2</sup> ). Approx. Wt. 138.7 lbs (62.9 kg)
2	070634	3 5/8" (92 mm) I.D. Chuck Adapter*
	070635	3" (76.2 mm) I.D. Chuck Adapter*
	070636	2 1/2" (63.5 mm) I.D. Chuck Adapter*
3	070640	Channel Post Chuck Adapter - 1.2 to 1.5 lbs/ft Posts*
	070641	Channel Post Chuck Adapter - 2 to 2.75 lbs/ft Posts*
	070642	Channel Post Chuck Adapter - 3 to 4 lbs/ft Posts*
4	070061	4" x 6" (101 mm x 152 mm) H Column Chuck*
	070062-T	4" x 6" (101 mm x 152 mm) H Column Drive Cap
	070063	4" x 4" (101 mm x 101 mm) Wood Post Chuck*
5	600000	Throttle Valve Kit with 2' (61 cm) Hose Assembly, 2 Couplers, 1 Safety Clip.
	605006	3/4" (19 mm) Extra Hose <i>(Only Available to Extend Hose Assembly to Desired Length)</i>
6	607000	3/4" (19 mm) Hose Assembly <i>(Order Length Needed)</i>
7	225001	Carrier for Filter-Regulator-Lubricator
8	601128	Filter-Regulator-Lubricator <i>(Used with all Post Drivers for Operator Safety &amp; Post Driver Protection)</i>
9	606600	Air Line Coupler <i>(Optional on F-R-L)</i>
10	606601	Coupler Safety Clip <i>(Optional on F-R-L)</i>
11	230401	Nipple <i>(Optional on F-R-L)</i>
12	100047	Air Hose Reel with 100 ft (30.5 m), 3/4" (19 mm) Air Hose Included
	100048	100 ft (30.5 m), 3/4" (19 mm) Air Hose Assembly
	100295	Air Hose Reel Only
13	995051	Pair/Anti-Vibration Gloves - Size Small
	995052	Pair/Anti-Vibration Gloves - Size Medium
	995053	Pair/Anti-Vibration Gloves - Size Large
	995054	Pair/Anti-Vibration Gloves - Size X-Large
	995055	Pair/Anti-Vibration Gloves - Size XX-Large
14	517702	Compression Washer
15	500178	Cap Screw

\* Note: Includes Necessary Cap Screws and Compression Washers.



# Rhino FAST FACTS...

## PD-140 Air Operated Post Driver & Accessories cont.



Rhino Tool Company • 620 Andrews Ave., PO Box 111 • Kewanee, IL 61443 • [www.rhinotool.com](http://www.rhinotool.com) • Tel: 309-853-5555 • Fax: 309-856-5905  
 Rhino Tool Company has a policy of continuous product improvement and reserves the right to change specifications, designs, or prices at any time without notice or incurring obligations for said changes.