

SECTION 7: ILLUSTRATED PARTS LIST

7.1 PARTS ORDERING PROCEDURE

Part orders should be placed through the distributor from whom the unit was purchased. If, for any reason parts cannot be obtained in this manner, contact the factory directly at the address or phone numbers below.

When ordering parts, always indicate the Serial Number of the machine package. This can be obtained from the Bill of Lading for the machine package, or from the compressor unit serial number plate. See *Figure 7-1* for location of machine package serial plate. Consult Table 7A: Recommended Spare Parts List on the next page for a listing of replacement parts.

CROWDER SUPPLY CO INC
8495 ROSLYN ST
COMMERCE CITY CO 80022
PHONE: 303 433 5144
FAX: 303 433 3928
WWW.CROWDERSUPPLY.COM

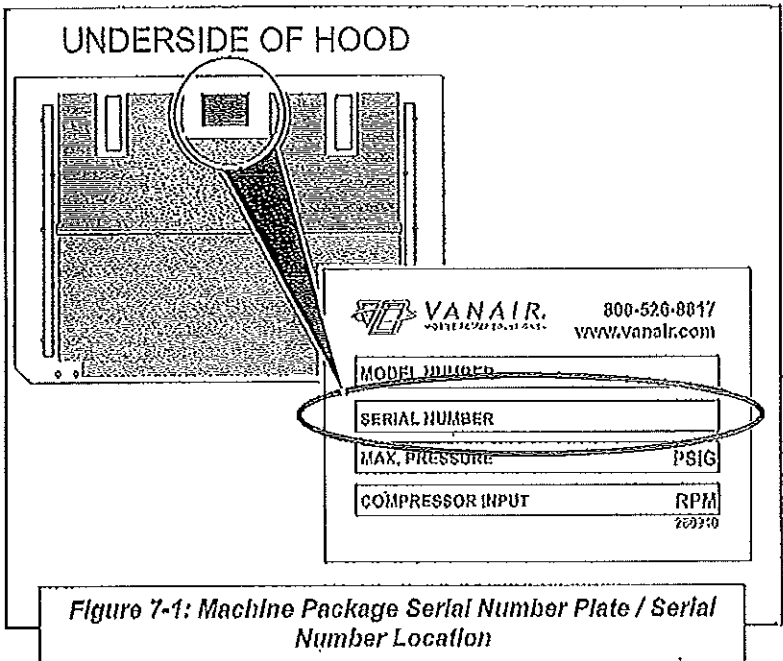




TABLE 7A: RECOMMENDED SPARE PARTS LIST			
KEY NO.	VANAIR PART NUMBER	DESCRIPTION	QUANTITY
FULL SERVICE MAINTENANCE KITS			
1	KIT1285	Kit, Compressor Service - Initial 50 Hours ^{I & II}	1
2	KIT1095	Kit, Compressor Service - 500 Hours ^{I & III}	1
3	^{IV}	Kit, Compressor Shaft Seal Replacement	1
4	^{IV}	Option, (Kit for) Cold Weather	1
INDIVIDUAL MAINTENANCE ITEMS			
5	264626-1GAL	Oil, Vanair Vanguard™ Compressor (gallon)	1
6	264469	Element, Replacement for Compressor Air Filter	1
7	264470	Element, Replacement for Compressor Separator	1
8	264471	Element, Replacement for Compressor Oil Filter	1
9	^V	Hoses, Replacement	-
10	275558	Breaker, Circuit with Studs (40A)	1
11	260246	Relay, NO/NC Weatherproof with Resistor	1
12	277764	Coupling, Spider Drive Replacement	1
13	^{VI}	Fuse, 10A	2
^I Use only Vanair® Vanguard™ Premium Synthetic Oil and Genuine Vanair Parts. Substituting non-Vanguard oil or non-genuine Vanair filler components WILL VOID THE COMPRESSOR WARRANTY! Inspect and replace damaged components before operation. Compressor system fill capacity is approximately four (4) quarts of oil.			
^{II} Compressor initial 50 hours maintenance kit consists of: one [1] gallons of Vanair Vanguard Compressor Oil, no. 264626-1GAL, and a compressor oil filler no. 264471.			
^{III} 500 hour maintenance kit consists of: one [1] gallons of Vanair Vanguard Compressor Oil, no. 264626-1GAL, compressor oil filter no. 264471, air filter no. 264469, and separator filter no. 264470.			
^{IV} For component replacement details consult the Vanair Service Department.			
^V For hose replacement(s) refer to the hose and tube assembly sub-sections (Sections 7.9 and 7.10, respectively) to obtain replacement hose part order numbers.			
^{VI} Replacement fuses can sometimes be found at local vendor carriers, such as automobile supply stores, hardware stores, etc.			
PLEASE NOTE: WHEN ORDERING PARTS, INDICATE MACHINE SERIAL NUMBER (see Figure 7-1).			

IMPORTANT

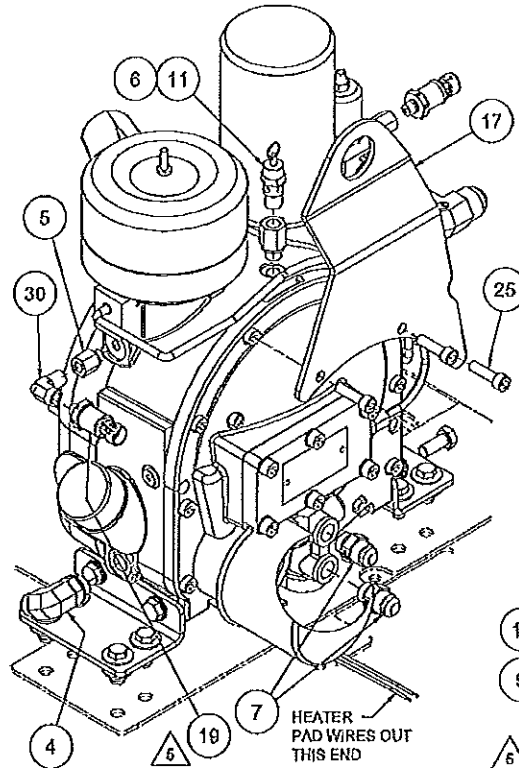
The above table listing contains items that require maintenance on a routine basis, and also those parts that may require maintenance over the course of the compressor package's performance schedule. Although this recommended list is proffered as a comprehensive guide to replacement parts, damage may occur to the machine beyond the scope of this listing.

Should any part of the compressor package that is not listed in Table 7A become damaged or inoperable, use the various sub-sections in Section 7 to best locate and identify the damaged part(s).

IMPORTANT

If additional spare parts are being stored for future use, ensure that they are stored in proper containers that allow for protection against contamination, and kept in a clean area of moderate temperature reading. For information on storing the machine package for periods of non-use, consult Section 5.4.8, Storage and Intermittent Use.

7.2 COMPRESSOR AND PARTS - OPEN CENTER MODEL

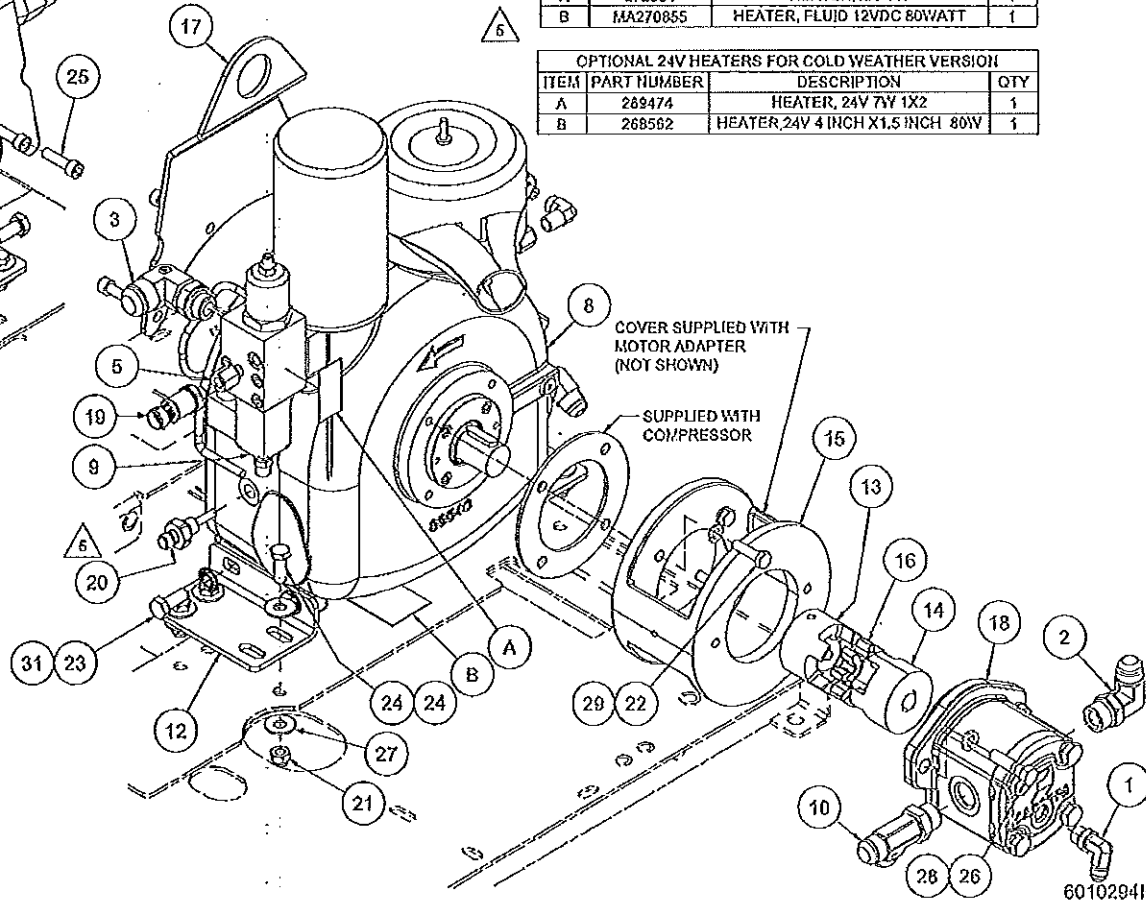


NOTES:

1. USE LOCTITE 667 THREAD SEALANT WITH PTFE OR EQUIVALENT SEALANT ON ALL MALE PIPE THREADS.
2. LUBRICATE ALL ELASTOMERIC SEALS/GASKETS/O-RINGS BEFORE TIGHTENING.
3. ALL BOLTS TO BE TORQUED TO THEIR RESPECTIVE SAE TORQUE SPECIFICATIONS, FOR THEIR GRADES AND SIZES, UNLESS OTHERWISE SPECIFIED.

OPTIONAL 12V HEATERS FOR COLD WEATHER VERSION			
ITEM	PART NUMBER	DESCRIPTION	QTY
A	272351	HEATER, 12V 7W	1
B	MA270855	HEATER, FLUID 12VDC 80WATT	1

OPTIONAL 24V HEATERS FOR COLD WEATHER VERSION			
ITEM	PART NUMBER	DESCRIPTION	QTY
A	289474	HEATER, 24V 7Y 1X2	1
B	268562	HEATER, 24V 4 INCH X1.5 INCH 80W	1



6010294ID_r5

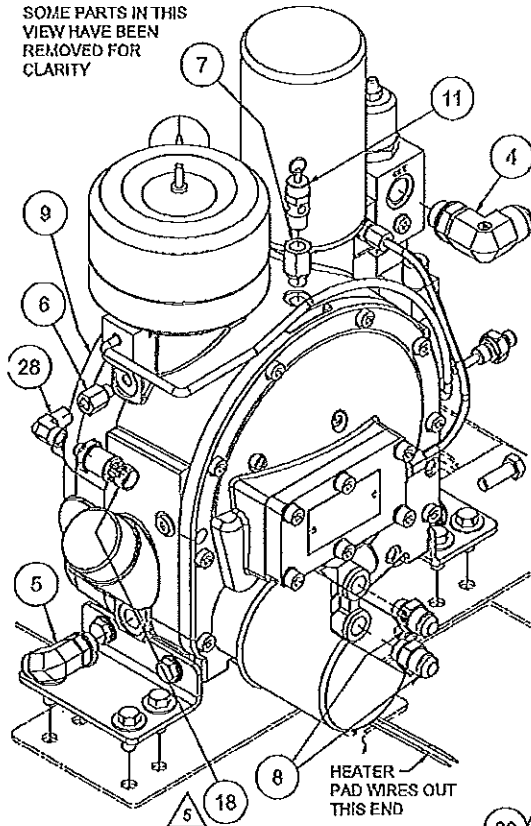


7.2 COMPRESSOR AND PARTS - OPEN CENTER MODEL							
KEY NO.	DESCRIPTION	PART NUMBER	QTY	KEY NO.	DESCRIPTION	PART NUMBER	QTY
1	ELBOW, 90 DEG #6 MJIC x #6 MSAE	260403-103	1	17	BRACKET, LIFTING	277874	1
2	ELBOW, 90 DEG #10 MJIC x #10 MSAE	260403-106	1	18	MOTOR, HYDRAULIC 9CC	278072	1
3	ELBOW, 90 DEG 3/4 MJIC X 1/2 BSPP	263747-011	1	19	TRANSDUCER, PRESS 1/8NPT 200PSI -40 to 125 C	278283	2
4	ELBOW,90 DEG. 1/2 MJIC X 3/8 MBSPP ADJ	263747-021	1				
5	ADAPTER, FEMALE PIPE x BSPP 1/8	263748-001	2	20	THERMISTOR, TEMP. 1/4 BSPP	278497	1
6	ADAPTER,FEMALE PIPE x BSPP 1/4	263748-004	1	21	NUT, HEX LOCKING 3/8-16	825506-198	7
7	ADAPTER, M-JIC 1/2 x BSPP 3/8	264312-007	2	22	CAPSCREW, HEX 8mm 1.25 x 30	828008-030	4
8	COMPR & PART VANAIR 31 EMC, 12VDC STD SHAFT	269761	1	23	CAPSCREW, HEX 10mm 1.5 x 25	828010-025	4
9	VALVE,SOLENOID 24VDC NK31	269761-123	1	24	CAPSCREW, HEX GR5 3/8-16 x 1	829106-100	7
10	TEE, 7/8-14 SAE X 5/8 JIC X 5/8 JIC	269792-005	1	25	CAPSCREW,S.H. M8 x 1.25 x30 mm LONG	829308-030	3
11	VALVE, RELIEF 225 PSI 1/4 NPT MALE	277127	1	26	CAPSCREW, HEX GR8 3/8-16 x 1.5	829406-150	2
12	BRACKET, COMPRESSOR MOUNTING	277431	2	27	WASHER, FLAT 3/8	838206-071	14
13	COUPLING, HALF COMPRESSOR SIDE	277761	1	28	WASHER, LOCK 3/8	838506-094	2
14	COUPLING, HALF HYDR MOTOR SIDE	277762	1	29	WASHER, LOCK METRIC M8	838808-200	4
15	MOUNT, HYDRAULIC MOTOR	277763	1	30	ELBOW, PIPE STREET 1/4M x 1/8F	860704-012	1
16	COUPLING, SPIDER	277764	1	31	WASHER, 3/8ID X 13/16OD NORD-LOCK	FA49463	4

PLEASE NOTE: WHEN ORDERING PARTS, INDICATE MACHINE SERIAL NUMBER.

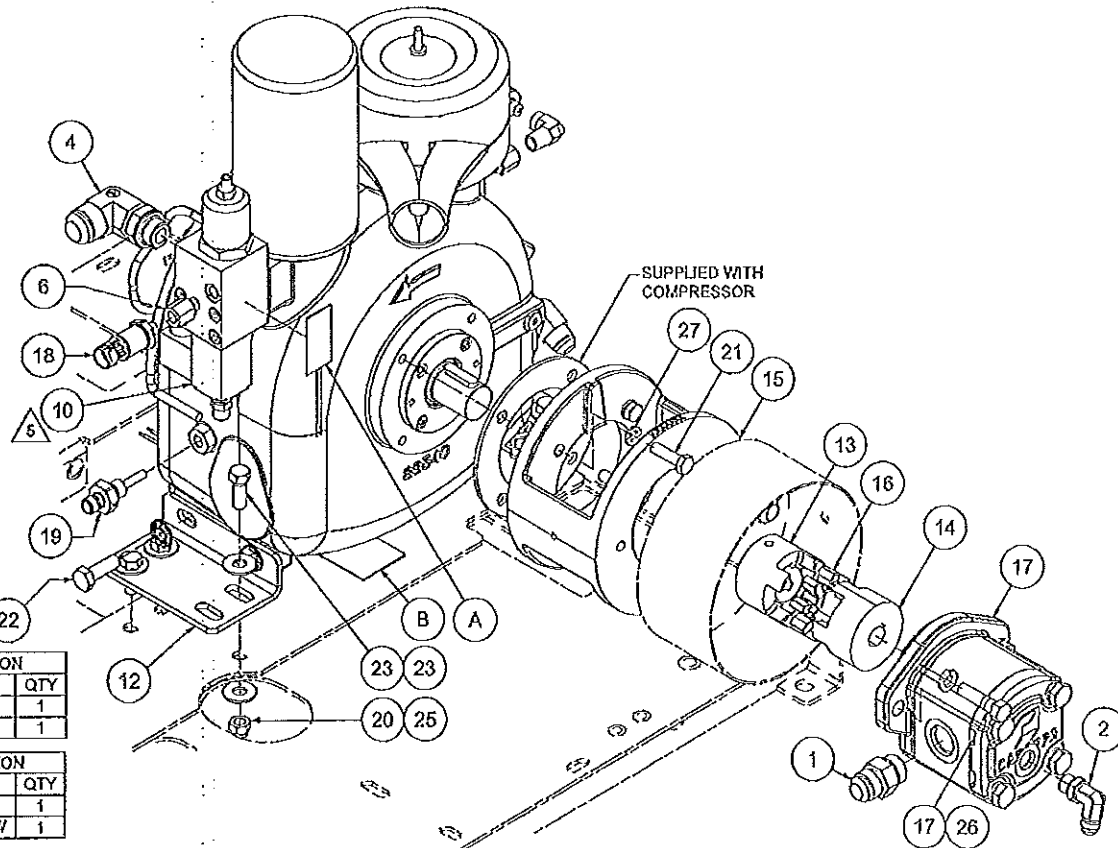
7.3 COMPRESSOR AND PARTS - CLOSED CENTER MODEL

SOME PARTS IN THIS VIEW HAVE BEEN REMOVED FOR CLARITY



NOTES:

1. USE LOCTITE 667 THREAD SEALANT WITH PTFE OR EQUIVALENT SEALANT ON ALL MALE PIPE THREADS.
2. LUBRICATE ALL ELASTOMERIC SEALS/GASKETS/O-RINGS BEFORE TIGHTENING.
3. ALL BOLTS TO BE TORQUED TO THEIR RESPECTIVE SAE TORQUE SPECIFICATIONS, FOR THEIR GRADES AND SIZES, UNLESS OTHERWISE SPECIFIED.
4. CHECK CONTINUITY OF COALESCER ELEMENT.
5. REMOVE, LUBRICATE GASKET AND THEN HAND TIGHTEN OIL FILTER.



OPTIONAL 12V HEATERS FOR COLD WEATHER VERSION

ITEM	PART NUMBER	DESCRIPTION	QTY
A	272351	HEATER, 12V 7W	1
B	MA270855	HEATER, FLUID 12VDC 80WATT	1

△

OPTIONAL 24V HEATERS FOR COLD WEATHER VERSION

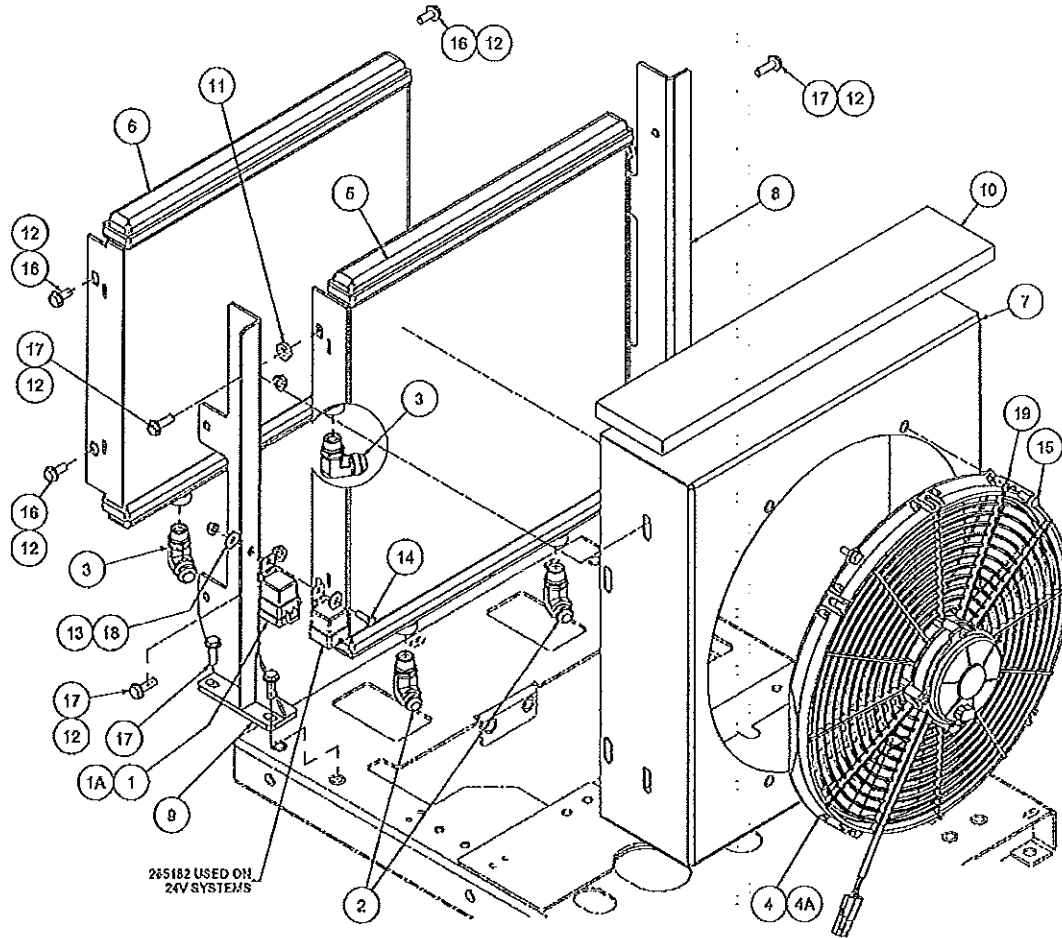
ITEM	PART NUMBER	DESCRIPTION	QTY
A	269474	HEATER, 24V 7W 1X2	1
B	268562	HEATER, 24V 4 INCH X1.5 INCH 80W	1

6010299ID_r5



7.3 COMPRESSOR AND PARTS - CLOSED CENTER MODEL							
KEY NO.	DESCRIPTION	PART NUMBER	QTY	KEY NO.	DESCRIPTION	PART NUMBER	QTY
1	CONNECTOR, #10 MSAE x #10 MJIC	260387-109	1	16	COUPLING, SPIDER	277764	1
2	ELBOW, 90 DEG #6 MJIC x #6 MSAE	260403-103	1	17	MOTOR, HYDRAULIC 9CC	278072	1
3	ELBOW, 90 DEG #10 MJIC x #10 MSAE	260403-106	1	18	TRANSDUCER,PRESS 1/8NPT 200PSI -40 to 125 C	278283	2
4	ELBOW, 90 DEG 3/4 MJIC X 1/2 BSPP	263747-011	1				
5	ELBOW,90 DEG. 1/2 MJIC X 3/8 MBSPP ADJ	263747-021	1	19	THERMISTOR, TEMP. 1/4 BSPP	278497	1
6	ADAPTER, FEMALE PIPE x BSPP 1/8	263748-001	2	20	NUT, HEX LOCKING 3/8-16	825506-198	7
7	ADAPTER,FEMALE PIPE x BSPP 1/4	263748-004	1	21	CAPSCREW, HEX 8mm 1.25 x 30	828008-030	4
8	ADAPTER, M-JIC 1/2 x BSPP 3/8	264312-007	2	22	CAPSCREW, HEX 10mm 1.5 x 30	828010-030	4
9	COMPR & PART VANAIR 31 EMC, 12VDC STD SHAFT	269761	1	23	CAPSCREW, HEX GR8 3/8-16 x 1	829406-100	7
10	VALVE,SOLENOID 24VDC NK31	269761-123	1	24	CAPSCREW, HEX GR8 3/8-16 x 1.5	829406-150	2
11	VALVE, RELIEF 225 PSI 1/4 NPT MALE	277127	1	25	WASHER, FLAT 3/8	838206-071	14
12	BRACKET, COMPRESSOR MOUNTING	277431	2	26	WASHER, LOCK 3/8	838506-094	2
13	COUPLING, HALF COMPRESSOR SIDE	277761	1	27	WASHER, LOCK METRIC M8	838808-200	4
14	COUPLING, HALF HYDR MOTOR SIDE	277762	1	28	ELBOW, PIPE STREET 1/4M x 1/8F	860704-012	1
15	MOUNT, HYDRAULIC MOTOR	277763	1	29	WASHER, 3/8ID X 13/16OD NORD-LOCK	FA49463	4
PLEASE NOTE: WHEN ORDERING PARTS, INDICATE MACHINE SERIAL NUMBER.							

7.4 COOLER ASSEMBLY (NO THERMAL VALVE)



KEY NO.	DESCRIPTION	PART NUMBER	QTY
1	RELAY,NO/NC WEATHERPROOF w/ RESISTOR	260246	1
1A	RELAY,NO/NC 24V WEATHERPROOF 20 AMP	265182	1A
2	ELBOW, 90 DEG #8 MJIC x #8 MSAE	260403-104	2
3	ELBOW, 90 DEG #10 MJIC x #8 MSAE	260403-105	3
4	FAN AND MOTOR ASSY,SUCKER (PULLER) 12V	264856	4
4A	FAN AND MOTOR ASSY,SUCKER (PULLER) 24V	265057	4A
5	COOLER, OIL 60-85 CFM SAE O-RING	275072	5
6	COOLER,OIL NK40 SAE O-RING	275073	6
7	SHROUD, FAN MOUNTING	277420	7
8	BRACKET, RIGHT COOLER MOUNTING	277425-AL	8
9	BRACKET, LEFT COOLER MOUNTING	277426-AL	9
10	FOAM, SOUND INSULATION COOLER SHROUD	278201-008	10
11	SPACER, RS45 COOLER	278289	4
12	NUT, HEX FLANGE 5/16-18	825305-283	8
13	NUT, HEX LOCKING 1/4-20	825504-145	1
14	CAPSCREW, HEX GR5 1/4-20 x 0.75	829104-075	1
15	CAPSCREW, HEX GR8 1/4-20 x 0.75	829404-075	4
16	SCREW, SER WASH 5/16-18 x 0.75	829705-075	4
17	SCREW, SER WASH 5/16-18 x 1	829705-100	8
18	WASHER, FLAT 1/4	838204-071	2
19	WASHER, LOCK 1/4	838504-062	4

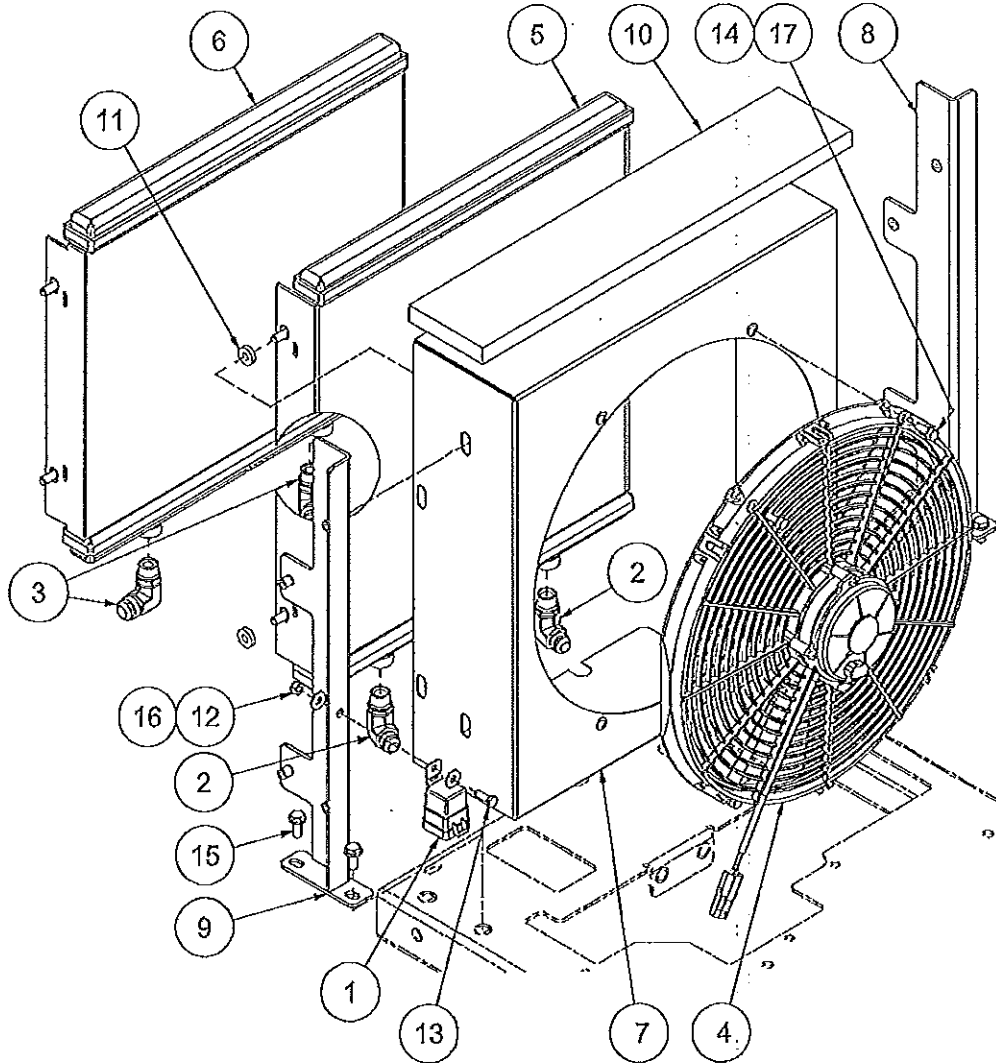
PLEASE NOTE: WHEN ORDERING PARTS, INDICATE MACHINE SERIAL NUMBER.

ASSEMBLY DRAWING STANDARD NOTES:

1. USE LOCTITE 567 THREAD SEALANT WITH PTFE OR EQUIVALENT SEALANT ON ALL MALE PIPE THREADS.
2. LUBRICATE ALL ELASTOMERIC SEALS/GASKETS/O-RINGS BEFORE TIGHTENING.
3. ALL BOLTS TO BE TORQUED TO THEIR RESPECTIVE SAE TORQUE SPECIFICATIONS, FOR THEIR GRADES AND SIZES, UNLESS OTHERWISE SPECIFIED.

6020194ID_r4

7.5 COOLER ASSEMBLY (WITH THERMAL VALVE)



KEY NO.	DESCRIPTION	PART NUMBER	QTY
1	RELAY, NO/NC WEATHERPROOF w/ RESISTOR	260246	1
2	ELBOW, 90 DEG #8 MJIC x #8 MSAE	260403-104	2
3	ELBOW, 90 DEG #10 MJIC x #8 MSAE	260403-105	2
4	FAN AND MOTOR ASSY.	264856	1
5	COOLER, OIL 60-85 CFM SAE O-RING	275072	1
6	COOLER, OIL NK40 SAE O-RING	275073	1
7	SHROUD, FAN MOUNTING	277420	1
8	BRACKET, RIGHT COOLER MOUNTING	277425-AL	1
9	BRACKET, LEFT COOLER MOUNTING	277426-AL	1
10	FOAM, SOUND INSULATION COOLER SHROUD	278201-008	1
11	SPACER, NYLON RS45 COOLER	278289	4
12	NUT, HEX LOCKING 1/4-20	825504-145	1
13	CAPSCREW, HEX GR5 1/4-20 x 0.75	829104-075	1
14	CAPSCREW, HEX GR8 1/4-20 x 0.75	829404-075	4
15	SCREW, SER WASH 5/16-18 x 0.75	829705-075	12
16	WASHER, FLAT 1/4	838204-071	2
17	WASHER, LOCK 1/4	838504-062	4

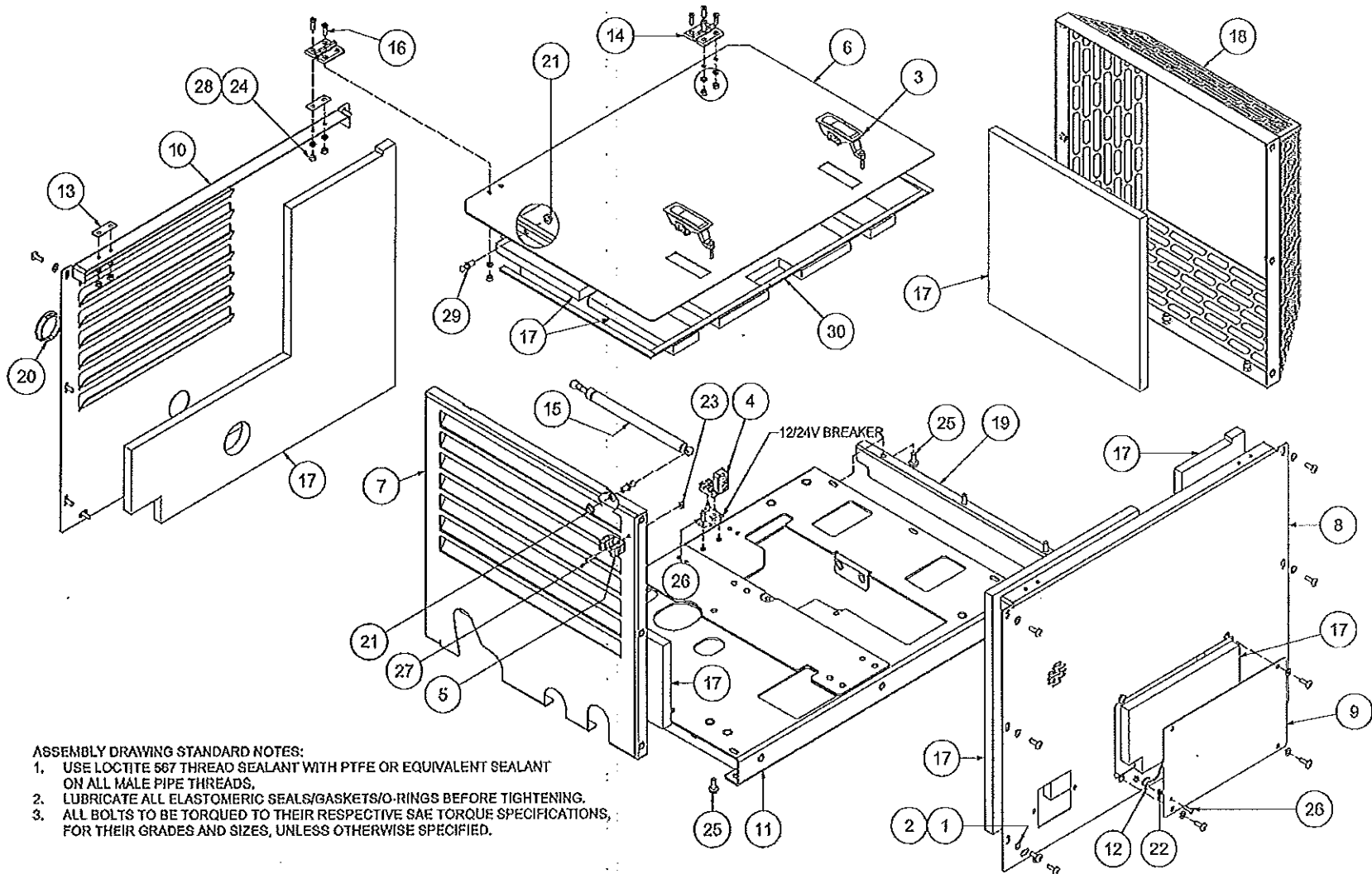
PLEASE NOTE: WHEN ORDERING PARTS, INDICATE MACHINE SERIAL NUMBER.

ASSEMBLY DRAWING STANDARD NOTES:

1. USE LOCTITE 587 THREAD SEALANT WITH PTFE OR EQUIVALENT SEALANT ON ALL MALE PIPE THREADS.
2. LUBRICATE ALL ELASTOMERIC SEALS/GASKETS/O-RINGS BEFORE TIGHTENING.
3. ALL BOLTS TO BE TORQUED TO THEIR RESPECTIVE SAE TORQUE SPECIFICATIONS, FOR THEIR GRADES AND SIZES, UNLESS OTHERWISE SPECIFIED.
4. CHECK CONTINUITY OF COALESCER ELEMENT.
5. REMOVE, LUBRICATE GASKET AND THEN HAND TIGHTEN OIL FILTER.
6. DISCARD METAL RING FROM FITTING, LEAVE O-RING.

6020197ID_r2

7.6 FRAME AND CANOPY ASSEMBLY



6030150ID_r4



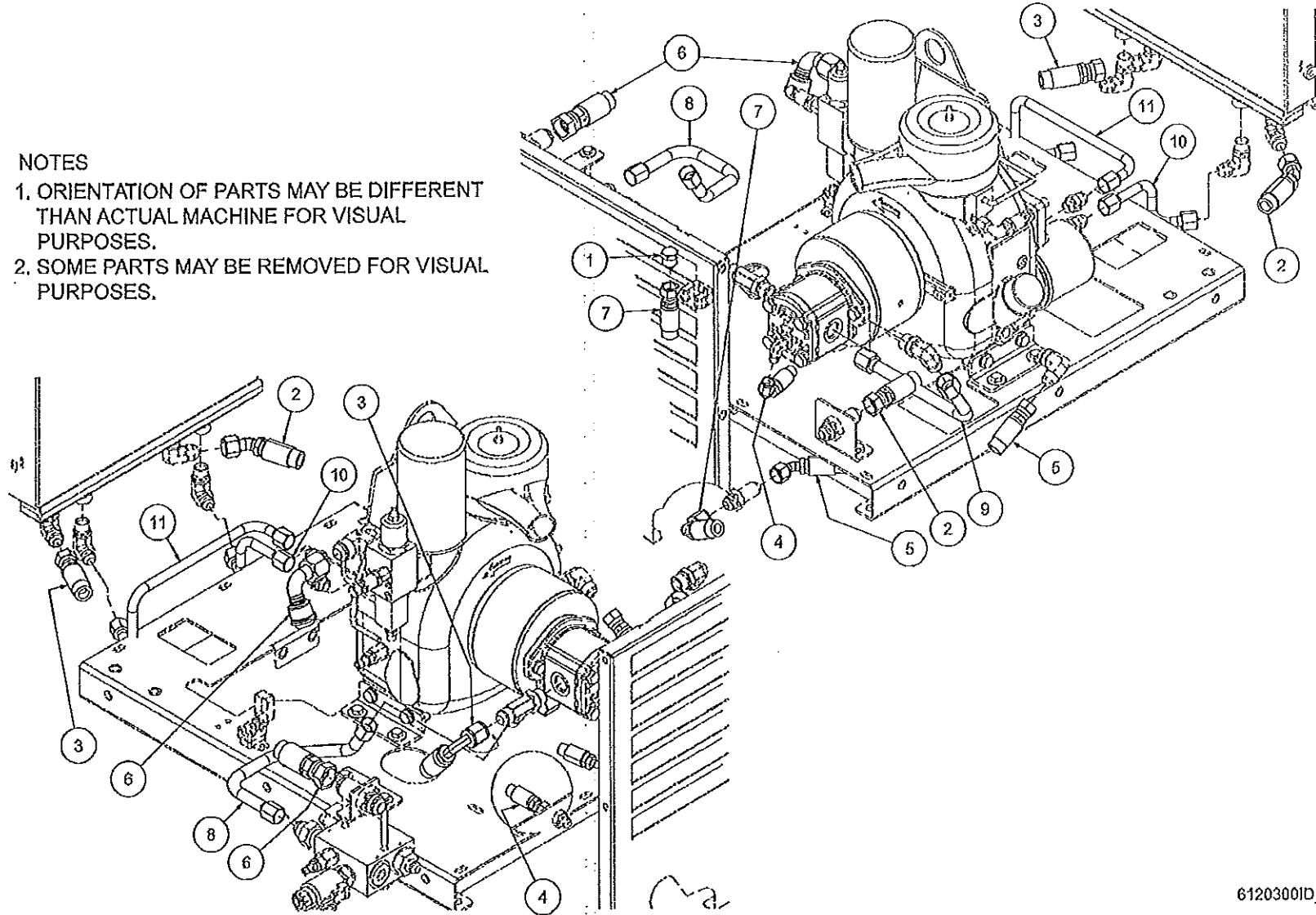
7.6 FRAME AND CANOPY ASSEMBLY							
KEY NO.	DESCRIPTION	PART NUMBER	QTY	KEY NO.	DESCRIPTION	PART NUMBER	QTY
1	WASHER, NYLON FLAT 1/4	262704	22	16	SCREW, MACHINE M6-1.0 X 20mm	278101-002	8
2	SCREW, TRUSS 1/4-20 X 3/4 SS	262953	22	17	FOAM,SOUND INSULATION RS45	278201	1
3	LATCH, SENTRY PANEL	267124	2	18	PANEL,CONE COOLER END RS45	278253	1
4	BOOT, CIRCUIT BREAKER COVER	267307	1	19	PANEL, FRAME COVER RS45	278287	1
5	CLIP, TOOL ZINC 3/4 TO 1-1/8	272059	1	20	PLUG, PANEL 2.00 INCH ID CLEAR	278418	1
6	PANEL, HOOD RS45	277399	1	21	NUT, HEX FLANGE 5/16-18	825305-283	2
7	PANEL, FRONT	277400	1	22	NUT, HEX LOCKING #8-32	825501-070	2
8	PANEL, RIGHT	277401	1	23	NUT, HEX LOCKING #10-24	825502-083	1
9	PANEL, OIL FILTER ACCESS	277402	1	24	NUT, HEX METRIC 6mm x 1	825906-100	8
10	PANEL, LEFT	277404	1	25	SCREW, SER WASH 5/16-18 x 0.75	829705-075	6
11	FRAME, RS45 ALUMINUM	277408-AL	1	26	SCREW, RD HEAD #8-32 X 3/4	831601-075	3
12	CABLE, SAFETY CATCH ACCESS PANEL	277675	1	27	SCREW,MACHINE #10-24 X 3/4	831602-075	1
13	SPACER, HINGE	277865	2	28	WASHER, LOCK METRIC M6	838806-160	8
14	HINGE, ROOF PANEL	277866	2	29	STUD, BALL, .39DIA. X .55LG.	FA58724	2
15	GAS SPRING, 6 STROKE, 20#	277909	1	30	GASKET, SEAL AND TRIM	PR35734	5.4 ft

PLEASE NOTE: WHEN ORDERING PARTS, INDICATE MACHINE SERIAL NUMBER.

7.7 HOSE & TUBE ASSEMBLY - OPEN CENTER; NO THERMAL VALVE

NOTES

1. ORIENTATION OF PARTS MAY BE DIFFERENT THAN ACTUAL MACHINE FOR VISUAL PURPOSES.
2. SOME PARTS MAY BE REMOVED FOR VISUAL PURPOSES.

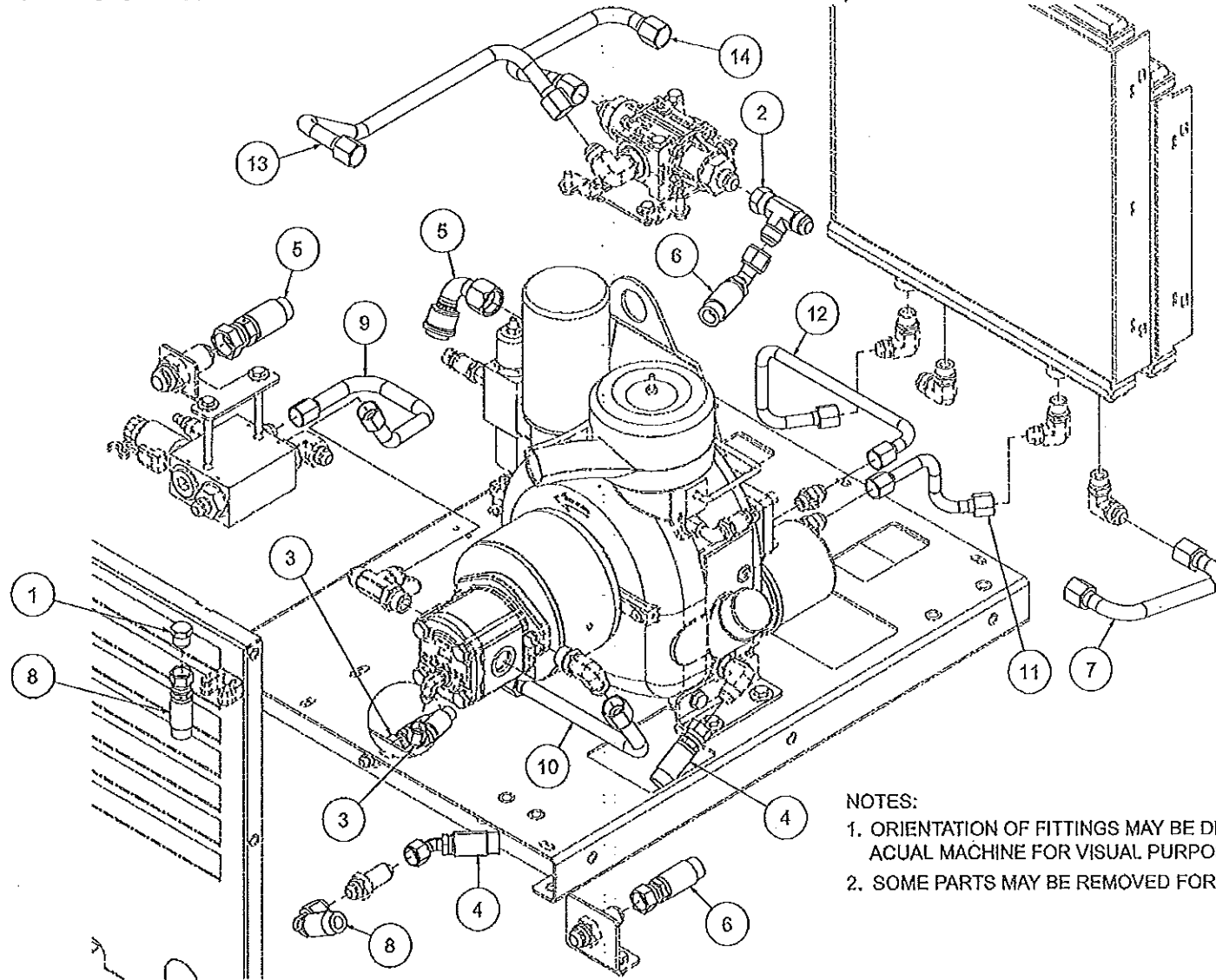


6120300ID_r1



7.7 HOSE & TUBE ASSEMBLY - OPEN CENTER; NO THERMAL VALVE			
KEY NO.	DESCRIPTION	PART NUMBER	QTY
1	PLUG, MALE 37 JIC 08	266214	1
2	HOSE, HYD OIL COOLER RETURN	277509	1
3	HOSE, HYD OIL COOLER SUPPLY	277512	1
4	HOSE, HYD MOTOR CASE DRAIN	277513	1
5	HOSE, COMPR OIL DRAIN	277514	1
6	HOSE, DISCHARGE AIR	277518	1
7	HOSE, EXTERNAL COMPR OIL DRAIN	277669	1
8	TUBE, HYDR MOTOR LP SIDE	278217	1
9	TUBE, HYDR MOTOR SUPPLY	278238	1
10	TUBE, COMPR OIL COOLER SUPPLY	278239	1
11	TUBE, COMPR OIL COOLER RETURN	278240	1
PLEASE NOTE: WHEN ORDERING PARTS, INDICATE MACHINE SERIAL NUMBER.			

7.8 HOSE & TUBE ASSEMBLY - OPEN CENTER; WITH THERMAL VALVE



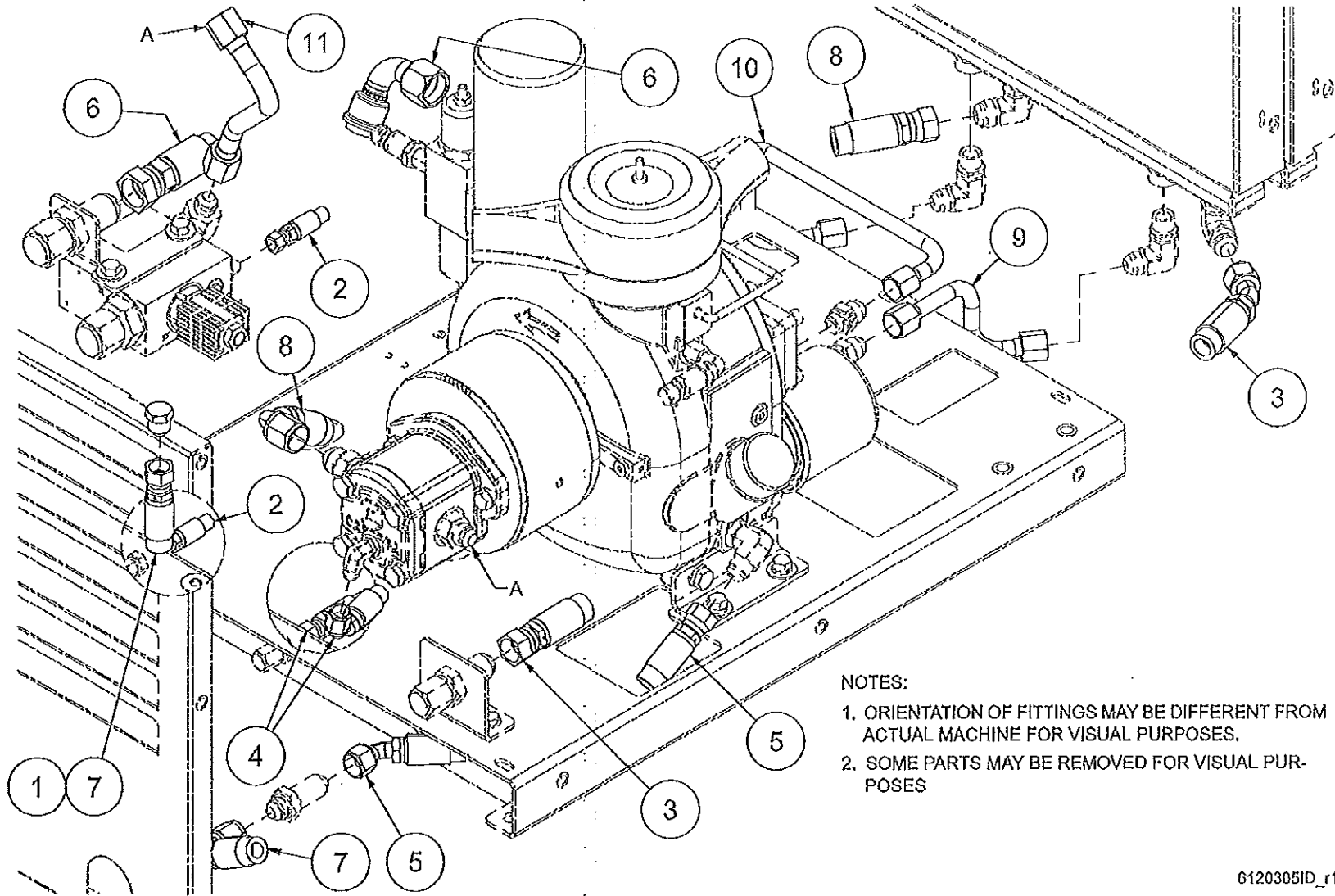
- NOTES:
- 1. ORIENTATION OF FITTINGS MAY BE DIFFERENT FROM ACUAL MACHINE FOR VISUAL PURPOSES.
 - 2. SOME PARTS MAY BE REMOVED FOR VISUAL PURPOSES.

6120301ID_r1



7.8 HOSE & TUBE ASSEMBLY - OPEN CENTER; WITH THERMAL VALVE			
KEY NO.	DESCRIPTION	PART NUMBER	QTY
1	PLUG, MALE 37 JIC 08	266214	1
2	TEE, RUN SWIVEL 5/8	268769-010	1
3	HOSE, HYD MOTOR CASE DRAIN	277513	1
4	HOSE, COMPR OIL DRAIN	277514	1
5	HOSE, DISCHARGE AIR	277518	1
6	HOSE, HYDR OIL RETURN	277633	1
7	TUBE, COOLER TO THERMAL VALVE RETURN	277635	1
8	HOSE, EXTERNAL COMPR OIL DRAIN	277669	3
9	TUBE, HYDR MOTOR LP SIDE	278217	1
10	TUBE, HYDR MOTOR SUPPLY	278238	1
11	TUBE, COMPR OIL COOLER SUPPLY	278239	1
12	TUBE, COMPR OIL COOLER RETURN	278240	1
13	TUBE, THERMAL VALVE SUPPLY	278243	1
14	TUBE, HYD OIL COOLER SUPPLY	278244	1
PLEASE NOTE: WHEN ORDERING PARTS, INDICATE MACHINE SERIAL NUMBER.			

7.9 HOSE & TUBE ASSEMBLY - CLOSED CENTER; NO THERMAL VALVE



NOTES:

1. ORIENTATION OF FITTINGS MAY BE DIFFERENT FROM ACTUAL MACHINE FOR VISUAL PURPOSES.
2. SOME PARTS MAY BE REMOVED FOR VISUAL PURPOSES

6120305ID_r1

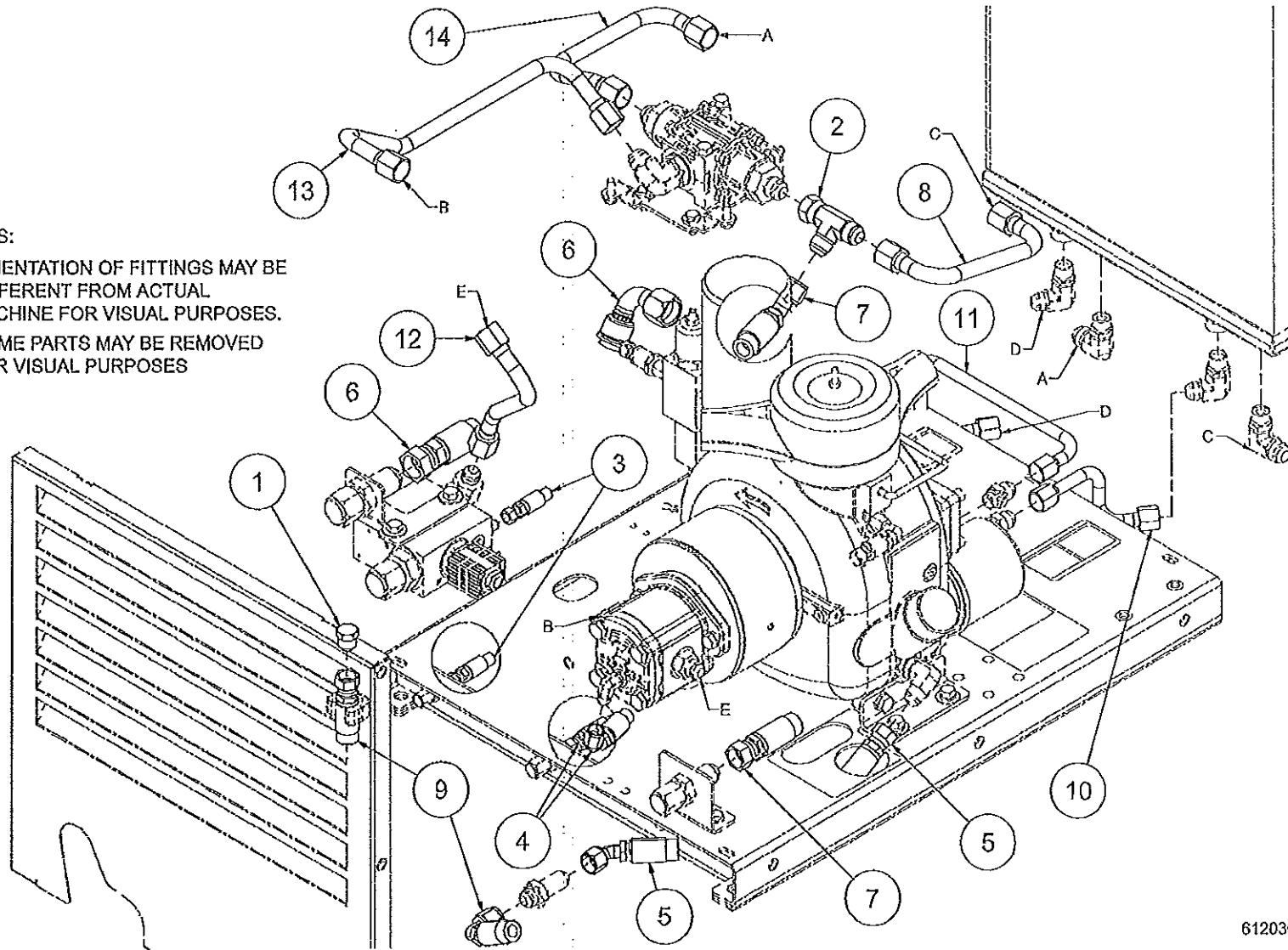


7.9 HOSE & TUBE ASSEMBLY - CLOSED CENTER; NO THERMAL VALVE			
KEY NO.	DESCRIPTION	PART NUMBER	QTY
1	PLUG, MALE 37 JIC 08	266214	1
2	HOSE, LOAD SENSE	277496	1
3	HOSE, HYD OIL COOLER RETURN	277509	1
4	HOSE, HYD MOTOR CASE DRAIN	277513	1
5	HOSE, COMPR OIL DRAIN	277514	1
6	HOSE, DISCHARGE AIR	277518	1
7	HOSE, EXTERNAL COMPR OIL DRAIN	277669	1
8	HOSE, HYDR OIL COOLER SUPPLY	278214	1
9	TUBE, COMPR OIL COOLER SUPPLY	278239	1
10	TUBE, COMPR OIL COOLER RETURN	278240	1
11	TUBE, HYDR MOTOR SUPPLY CLSD CNTR	278241	1
PLEASE NOTE: WHEN ORDERING PARTS, INDICATE MACHINE SERIAL NUMBER.			

7.10 HOSE & TUBE ASSEMBLY - CLOSED CENTER; WITH THERMAL VALVE

NOTES:

1. ORIENTATION OF FITTINGS MAY BE DIFFERENT FROM ACTUAL MACHINE FOR VISUAL PURPOSES.
2. SOME PARTS MAY BE REMOVED FOR VISUAL PURPOSES

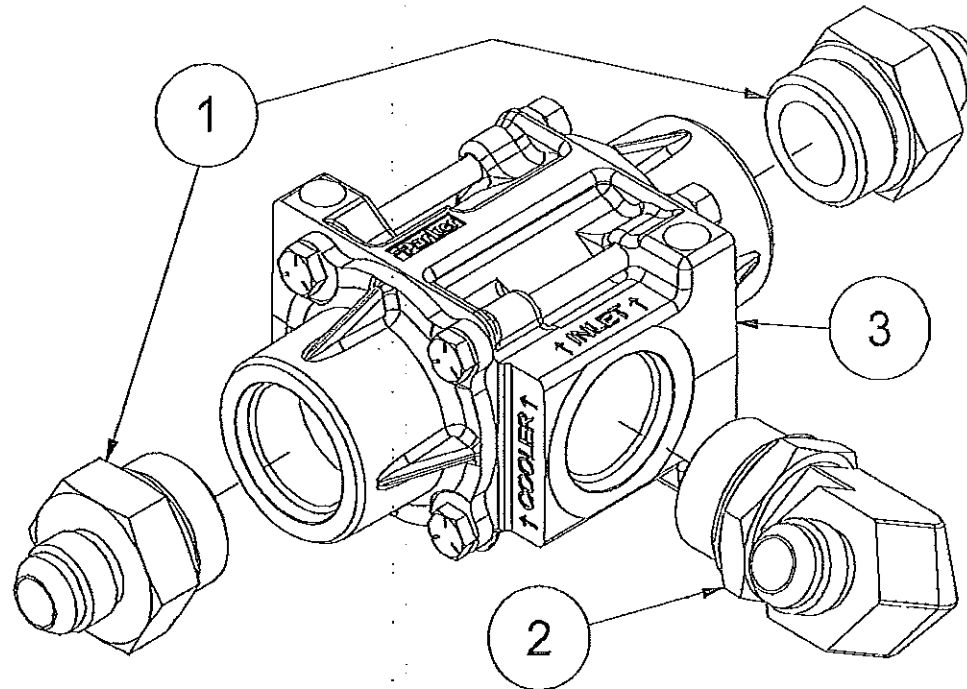


6120304ID_r1



7.10 HOSE & TUBE ASSEMBLY - CLOSED CENTER; WITH THERMAL VALVE			
KEY NO.	DESCRIPTION	PART NUMBER	QTY
1	PLUG, MALE 37 JIC 08	266214	1
2	TEE, RUN SWIVEL 5/8	268769-010	1
3	HOSE, LOAD SENSE	277496	1
4	HOSE, HYD MOTOR CASE DRAIN	277513	1
5	HOSE, COMPR OIL DRAIN	277514	1
6	HOSE, DISCHARGE AIR	277518	1
7	HOSE, HYDR OIL RETURN	277633	1
8	TUBE, COOLER TO THERMAL VLV RETURN	277635	1
9	HOSE, EXTERNAL COMPR OIL DRAIN	277669	1
10	TUBE, COMPR OIL COOLER SUPPLY	278239	1
11	TUBE, COMPR OIL COOLER RETURN	278240	1
12	TUBE, HYDR MOTOR SUPPLY CLSD CNTR	278241	1
13	TUBE, THERMAL VALVE SUPPLY	278243	1
14	TUBE, HYD OIL COOLER SUPPLY	278244	1
PLEASE NOTE: WHEN ORDERING PARTS, INDICATE MACHINE SERIAL NUMBER.			

7.11 THERMAL VALVE ASSEMBLY - CLOSED CENTER



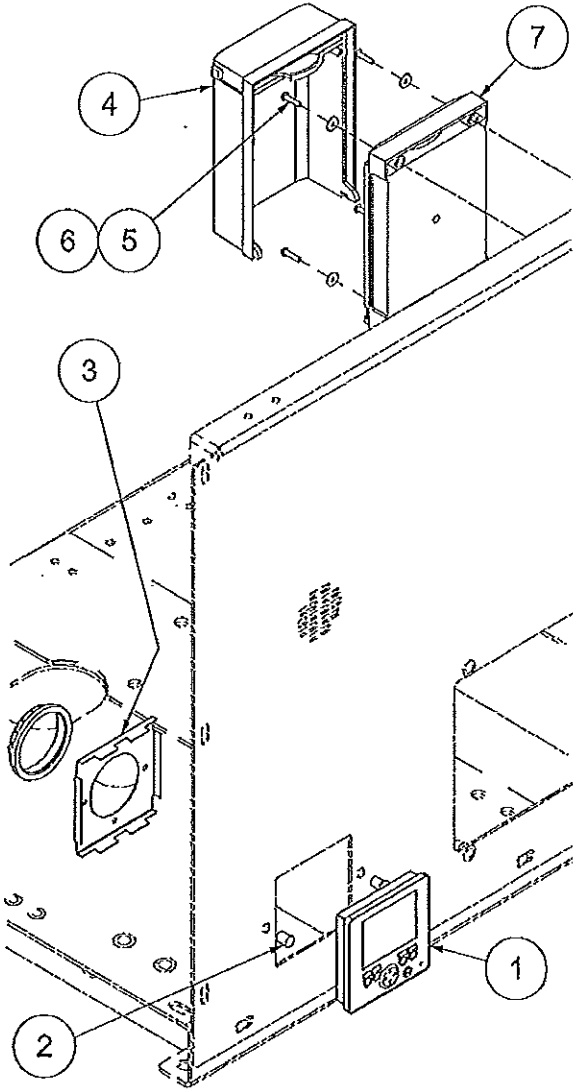
KEY NO.	DESCRIPTION	PART NUMBER	QTY
1	CONNECTOR, #16 MSAE x #10 MJIC	260387-135	2
2	ELBOW, 90 DEG #10 MJIC x #16 MSAE	260403-113	1
3	VALVE, THERMAL BYPASS 1" SAE 50PSI 100 DEG	274255	1
NS	HARNESS, COLD WEATHER HEATER PADS	278541	1
PLEASE NOTE: WHEN ORDERING PARTS, INDICATE MACHINE SERIAL NUMBER.			

ASSEMBLY DRAWING STANDARD NOTES:

1. USE LOCTITE 567 THREAD SEALANT WITH PTFE OR EQUIVALENT SEALANT ON ALL MALE PIPE THREADS.
2. LUBRICATE ALL ELASTOMERIC SEALS/GASKETS/O-RINGS BEFORE TIGHTENING.
3. ALL BOLTS TO BE TORQUED TO THEIR RESPECTIVE SAE TORQUE SPECIFICATIONS, FOR THEIR GRADES AND SIZES, UNLESS OTHERWISE SPECIFIED.

6120298ID_r1

7.12 DISPLAY AND CONTROLLER ASSEMBLY

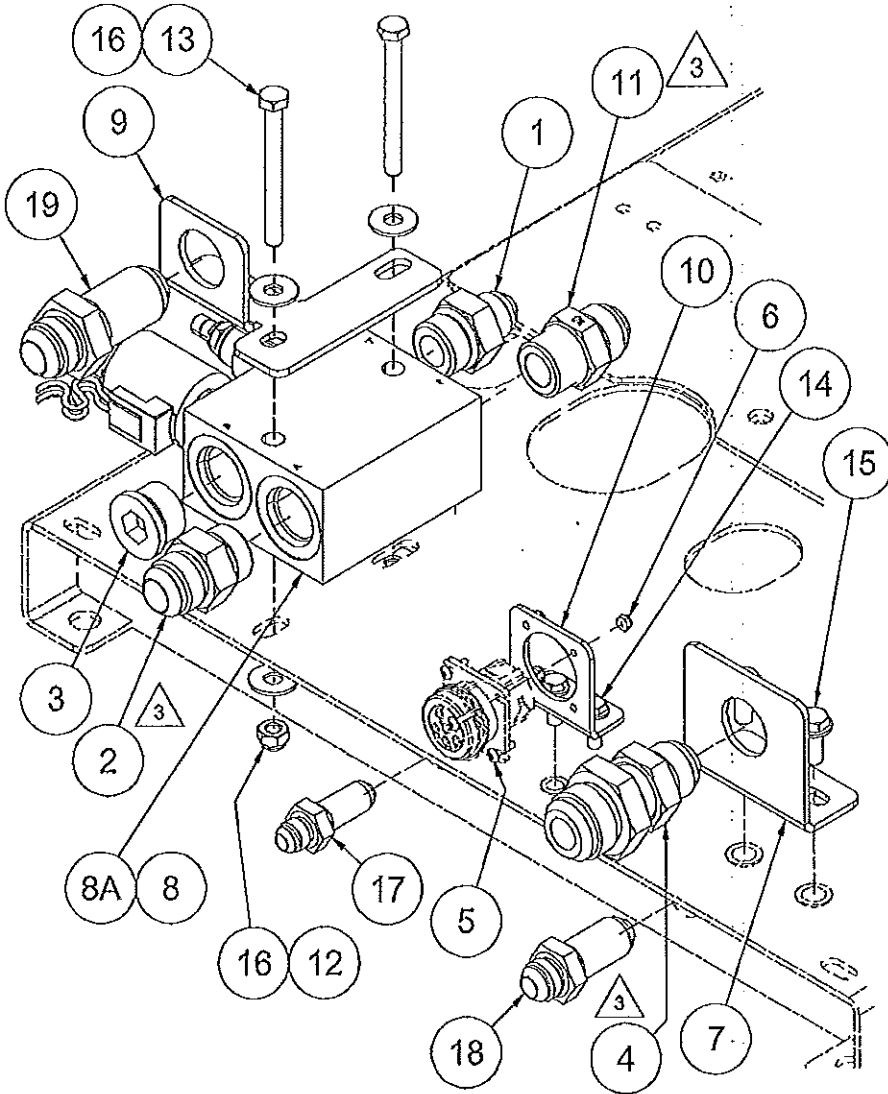


KEY NO.	DESCRIPTION	PART NUMBER	QTY
1	DISPLAY,COLOR 2.8 INCH	276319	1
2	PLUG, HOLE 3/8 DIA, WH	277184	2
3	BRACKET, MOUNTING 2.8 INCH DISPLAY	277665	1
4	COVER, BASIC CONTROLLER	277666	1
5	SCREW,MACHINE #6-32 X 5/8	831600-063	4
6	WASHER, FLAT #6	838200-045	4
7	CONTROLLER, BASIC	CO277437	1

PLEASE NOTE: WHEN ORDERING PARTS, INDICATE MACHINE SERIAL NUMBER.

6120302ID_r2

7.13 HYDRAULIC MANIFOLD ASSEMBLY - OPEN CENTER



KEY NO.	DESCRIPTION	PART NUMBER	QTY
1	CONNECTOR, #12 MSAE x #10 MJIC	260387-110	1
2	CONNECTOR, #12 MSAE x #12 MJIC	260387-112	1
3	PLUG, SAE O-RING #12	268081-008	1
4	BULKHEAD, 1 1/16 - 12UNF x 1 5/16 - UNF	269751	1
5	SCREW, TRUSS #4-40 X 1/2	271839	4
6	NUT, HEX LOCKING #4-40 UNC	271840	4
7	BRACKET, HYDRAULIC RETURN	277429	1
8	MANIFOLD, HYDRAULIC SOFT SHIFT	277819	1
8A	MANIFOLD, HYDRAULIC SOFT SHIFT 24V	277875	1
9	BRACKET, AIR DISCHARGE	277974	1
10	BRACKET, 6 PIN CONNECTOR	278370	1
11	VALVE, CHECK 3/4 MSAE x 3/4 MJIC 85 PSI CRACKING	278457	1
12	NUT, HEX LOCKING 5/16-18	825505-166	2
13	CAPSCREW, HEX GR5 5/16-18 x 3	829105-300	2
14	SCREW, SER WASH 1/4-20 x 0.75	829704-075	2
15	SCREW, SER WASH 5/16-18 x 0.75	829705-075	2
16	WASHER, FLAT 5/16	838205-071	4
17	BULKHEAD, MJIC x MJIC #6	862106-038	1
18	BULKHEAD, MJIC x MJIC #8	862108-050	1
19	BULKHEAD, MJIC x MJIC #12	862112-075	1

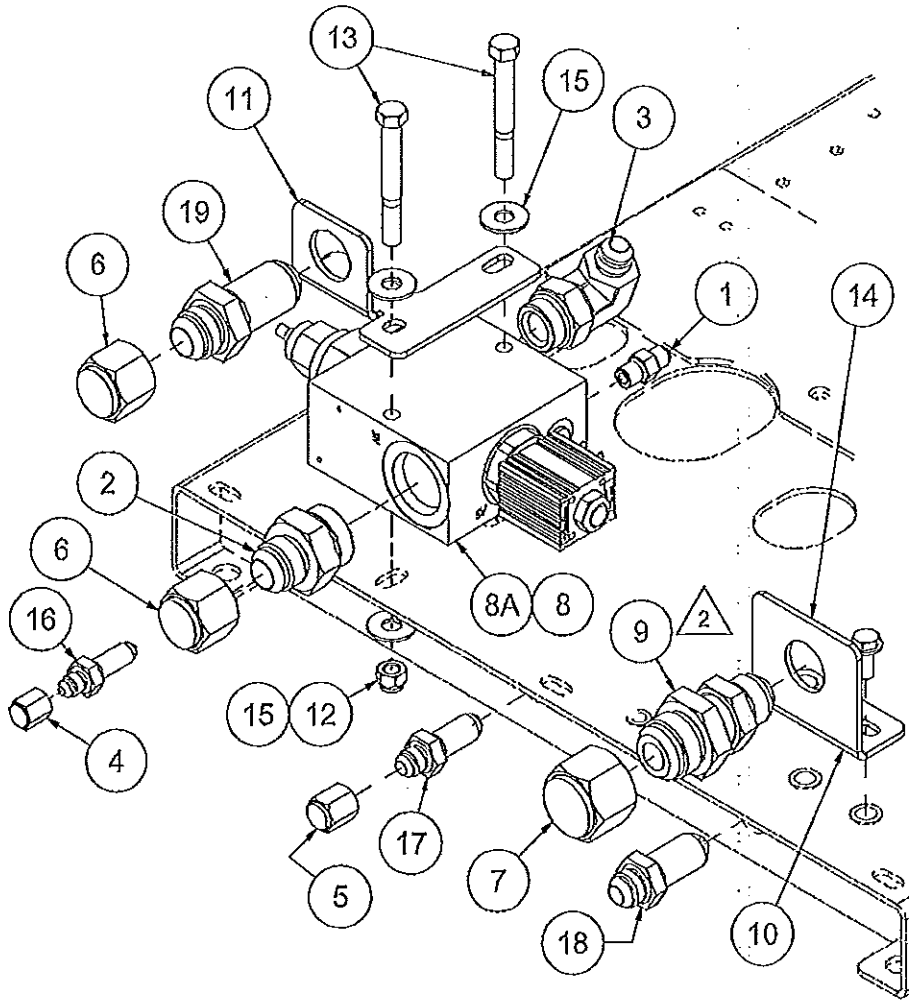
PLEASE NOTE: WHEN ORDERING PARTS, INDICATE MACHINE SERIAL NUMBER.

ASSEMBLY DRAWING STANDARD NOTES:

1. USE LOCTITE 567 THREAD SEALANT WITH PTFE OR EQUIVALENT SEALANT ON ALL MALE PIPE THREADS.
2. LUBRICATE ALL ELASTOMERIC SEALS/GASKETS/O-RINGS BEFORE TIGHTENING.
3. ALL BOLTS TO BE TORQUED TO THEIR RESPECTIVE SAE TORQUE SPEC FOR ITS GRADE AND SIZE UNLESS OTHERWISE SPECIFIED.
4. USE 277875 IN LIEU OF 277819 IN 24V APPLICATIONS.

6120296ID_r4

7.14 HYDRAULIC MANIFOLD ASSEMBLY - CLOSED CENTER

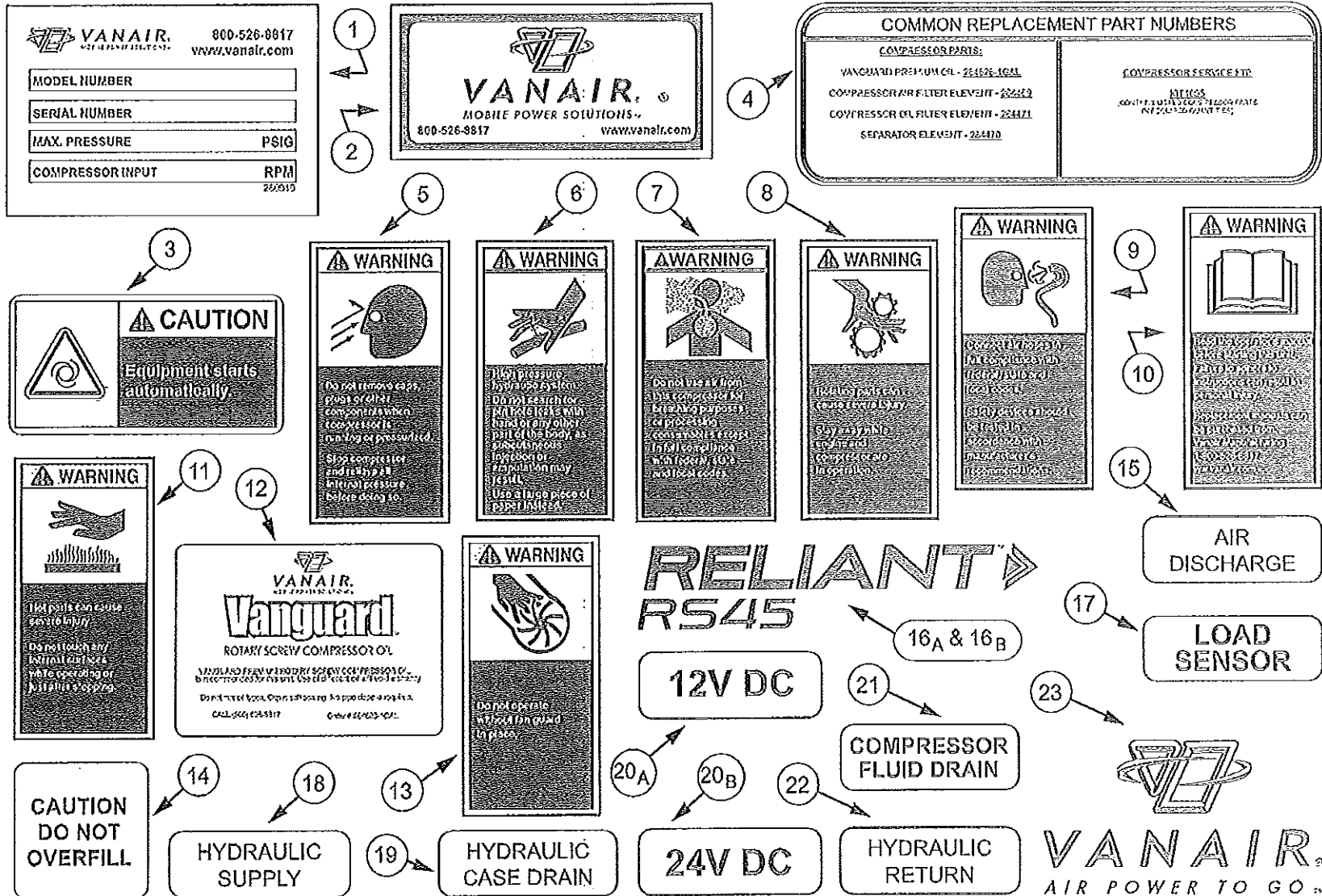


KEY NO.	DESCRIPTION	PART NUMBER	QTY
1	CONNECTOR, O-RING 1/4 SAE x 1/4 JIC	260387-103	1
2	CONNECTOR, #16 MSAE x #12 MJIC	260387-119	1
3	ELBOW, 90 DEG #8 MJIC x #12 MSAE	260403-115	1
4	CAP, FEMALE JIC #4	264322-001	1
5	CAP, FEMALE #16 JIC 9/16-18 UNF-2B	264322-002	1
6	CAP, FEMALE JIC 1 1/16-12 #12	264322-005	2
7	CAP, FEMALE JIC 1 5/16-12 #16	264322-006	1
8	VALVE, HYDRAULIC ASSY MAINT RC40	267617	1
8A	VALVE, HYDRAULIC ASSY MAINT RC40	277854	1
9	BULKHEAD, 1 1/16 - 12UNF x 1 5/16 - UNF	269751	1
10	BRACKET, HYDRAULIC RETURN	277429	1
11	BRACKET, AIR DISCHARGE	277974	1
12	NUT, HEX LOCKING 3/8-16	825506-198	2
13	CAPSCREW, GR8 3/8-16 X 3	829406-300	2
14	SCREW, SER WASH 5/16-18 x 0.75	829705-075	2
15	WASHER, FLAT 3/8	838206-071	4
16	BULKHEAD, MJIC x MJIC #4	862104-025	1
17	BULKHEAD, MJIC x MJIC #6	862106-038	1
18	BULKHEAD, MJIC x MJIC #8	862108-050	1
19	BULKHEAD, MJIC x MJIC #12	862112-075	1

PLEASE NOTE: WHEN ORDERING PARTS, INDICATE MACHINE SERIAL NUMBER.

- ASSEMBLY DRAWING STANDARD NOTES:
1. USE LOCTITE 567 THREAD SEALANT WITH PTFE OR EQUIVALENT SEALANT ON ALL MALE PIPE THREADS.
 2. LUBRICATE ALL ELASTOMERIC SEALS/GASKETS/O-RINGS BEFORE TIGHTENING.
 3. ALL BOLTS TO BE TORQUED TO THEIR RESPECTIVE SAE TORQUE SPECIFICATIONS, FOR THEIR GRADES AND SIZES, UNLESS OTHERWISE SPECIFIED.
 4. USE 277854 IN LIEU OF 267617 IN 24V APPLICATIONS.
- 6120297ID_r3

7.15 DECALS - PART 1 OF 2, IDENTIFICATION





7.15 DECALS - PART 1 OF 2, IDENTIFICATION							
KEY NO.	DESCRIPTION	PART NUMBER	QTY	KEY NO.	DESCRIPTION	PART NUMBER	QTY
1	PLATE, SERIAL	260940	1	14	DECAL, WARNING FAN GUARD	264383	1
2	VAN AIR ADDRESS	265605	1	15	DECAL, AIR DISCHARGE	275973	1
3	DECAL, CAUTION AUTO START ^x	272041	1	16	DECAL, RELIANT RS45 10" X 2.06"	278178-A	2
4	DECAL, REPLACEMENT PARTS	278228	1	17	DECAL, LOAD SENSOR	269642	1
5	DECAL, WARNING PLUGS	264378	1	18	DECAL, HYDRAULIC SUPPLY	275971	1
6	DECAL, WARNING HIGH PRES	264380	1	19	DECAL, CASE DRAIN	276941	1
7	DECAL, WARNING AIR	261886	1	20A	DECAL, LABEL 12V DC ^{xx}	275974	1
8	DECAL, WARNING ROTATING PARTS	264374	1	20B	DECAL, LABEL 24V DC ^{xx}	275975	1
9	DECAL, WARNING CONNECT AIR HOSE	261885	1	21	DECAL, COMPR FLUID DRAIN	275054	1
10	DECAL, WARNING READ MANUAL	272424	1	22	DECAL, HYDRAULIC RETURN	275972	1
11	DECAL, WARNING HOT PARTS	264372	1	23A	DECAL, VAN AIR "AIR" STACKED 18" X 9.42"	275039-C	1
12	DECAL, ROTARY SCREW OIL	272501	1	23B	DECAL, VAN AIR "AIR" STACKED 13" X 6.80"	275039-C	1
13	LABEL, DO NOT OVERFILL	275981	1				

^x An additional, loose, auto-start decal is included with machine documentation for placement on vehicle when package is installed. Vanair recommends that at least one decal be placed near vehicle ignition.

^{xx} Voltage decal is dependent upon the machine specification: either 12V DC or 24V DC.

PLEASE NOTE: WHEN ORDERING PARTS, INDICATE MACHINE SERIAL NUMBER.

7.15 DECALS - PART 2 OF 2, LOCATIONS

