

Air King



The Right Connection™

Crowder Supply Co., Inc. • 8495 Roslyn St., Commerce City, CO 80022 • Toll Free: 888-883-5144 • www.CrowderSupply.com

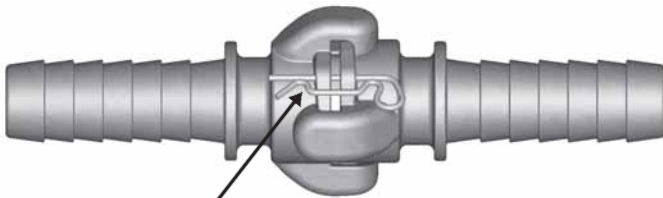
SERVICE - Dixon "Air King" couplings are recommended for use on air lines for virtually any type of pneumatic equipment. **The maximum recommended working pressure for Dixon "Air King" universal couplings is 150 PSI or less at ambient temperature (70° F).**

FEATURES - Dixon "Air King" fittings have a universal head which is identical for all parts (hose ends, male NPT and female NPT) within the 1/4" to 1" range. This enables any two fittings (within that range) to be directly connected regardless of hose shank or threaded size. Dixon "Air King" couplings with interlocking ferrule also have the standard "Air King" universal head. This enables any of the "Air King" with ferrule couplings to connect directly to any other "Air King" coupling within the 1/4" - 1" range. The ferrule comes attached to the fitting for easy installation. The ferrules can be swaged or crimped depending on your coupling installation equipment. Swaging and crimping dimensions are provided on page 9 of this brochure.

CONNECTION - Connections are made by pushing two heads together and turning one quarter turn in a clockwise direction. When this is done and the heads have seated properly, the small holes through the flange on the side of each coupling head will line up. An "Air King" Safety Clip should be inserted at this point to assure the "Air King" couplings will not become accidentally disconnected. If a Safety Clip is not available, insert a cotter pin or wire type retainer through the holes. The fitting is now ready to be put into service.

DISCONNECTION - Remove the safety clip, cotter pin or wire. Press the heads firmly together and turn them counterclockwise. The heads will then separate. **NEVER attempt to disconnect any hose while pressure is in the line.**

INTERCHANGE - Although "Air King" couplings may interchange with other manufacturers' fittings, **we do not recommend their use with other products.** Not all locking heads are made to the same standards as Dixon "Air King". Use with other brands of fittings may create an unsafe condition, due to poor design or worn equipment.



The use of an "Air King" Safety Clip, cotter pin, or wire type retainer is necessary to assure "Air King" Universal Couplings will not become accidentally disconnected. This guarantees the fittings are properly connected as a safety clip or pin will not go through the holes in the mating flanges until the couplings are locked in place. Only one "Air King" Safety Clip or wire type retainer is required for each "Air King" Universal Coupling Assembly.

Synthetic cord Lanyards (not pictured) are available separately for fastening the Safety Clip to the locking head (see page 6).

"Air King" available to meet pressure requirements as specified in A-A-59553 commercial item description superseding Mil Spec. WWC-633D.

The Importance of "Whip Hose"

The constant vibration created by air tools, like air drills and pavement breakers, is destructive to air hose couplings, especially the quick-acting type. To provide a safer working environment, connect one end of a 3' to 10' length of air hose to the tool using Dixon's "No. 3500" Steel Nipple. This nipple is designed to specifically handle vibration applications. Connect the other end of hose to the air supply using the standard quick-acting coupling. The "Whip Hose" should remain permanently connected to the tool.

SAFETY

Dixon's couplings and retention devices are designed to work safely for their intended use. The selection of the proper hose, coupling, and retention devices; and the proper application of the coupling to the hose are of utmost importance. Users must consider the size, temperature, application, media, pressure, and hose and coupling manufacturer's recommendations when selecting the proper hose assembly components. Dixon recommends that all hose assemblies be tested in accordance with the Rubber Manufacturers Association's recommendations and be inspected regularly (before each use), to ensure that they are not damaged or have become loose.

Where safety devices are integral to the coupling, they must be working and utilized. The use of supplementary safety devices, such as safety clips and "King Cable" safety cables, are recommended. If any problem is detected, couplings must be removed from service immediately.

Dixon is always available for consultation concerning the couplings and accessories we sell. We will suggest the appropriate fittings, test those applications when necessary, and train distributors in assembly procedures. We strongly recommend that distributors and end users make use of these services.

Dixon can be contacted at 1-800-355-1991.

**SAFETY
ALERT**

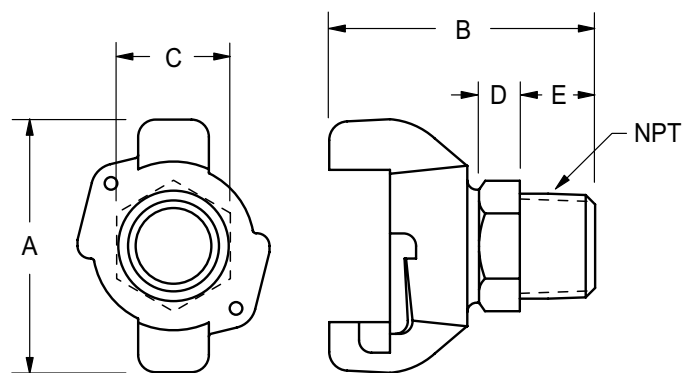
Male N.P.T. Ends

- Male NPT thread with hex for a wrench.
- Available in malleable iron, brass or 316 stainless steel (1/4" not available in Stainless Steel).
- Available in sizes 1/4" to 1".

Size	Malleable Iron		Brass		316 Stainless Steel
	Part #	pkg qty	Part #	pkg qty	Part #
1/4"	AMB1	25	ABB1	25	----
3/8"	AMB	25	ABB	25	RAMB
1/2"	AM2	50	AB2	50	RAM2
3/4"	AM7	50	AB7	50	RAM7
1"	AM12	50	AB12	50	RAM12

Dimensions

Size	A	B	C	D	E	NPT
1/4"	2 1/2"	2 9/16"	1"	7/16"	5/8"	1/4"
3/8"	2 1/2"	2 9/16"	1"	7/16"	5/8"	3/8"
1/2"	2 1/2"	2 11/16"	1 1/8"	3/8"	13/16"	1/2"
3/4"	2 1/2"	2 13/16"	1 3/8"	3/8"	7/8"	3/4"
1"	2 1/2"	2 7/8"	1 1/2"	3/8"	7/8"	1"



All dimensions are nominal.

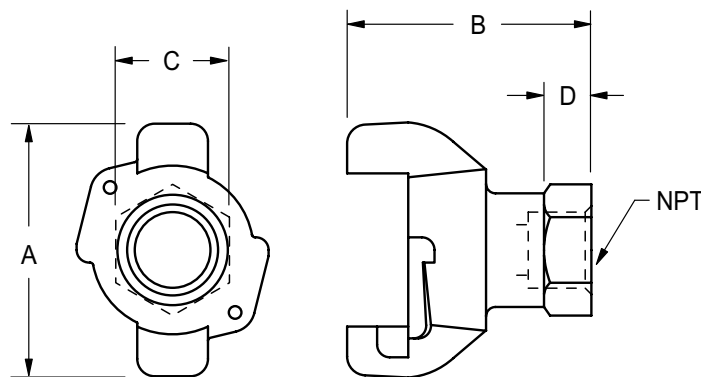
Female N.P.T. Ends

- Female NPT thread with hex for a wrench.
- Available in malleable iron, brass or 316 stainless steel (1/4" not available in Stainless Steel).
- Available in sizes 1/4" to 1".

Size	Malleable Iron		Brass		316 Stainless Steel
	Part #	pkg qty	Part #	pkg qty	Part #
1/4"	AMC1	25	ABC1	25	----
3/8"	AMC	25	ABC	25	RAMC
1/2"	AM3	50	AB3	50	RAM3
3/4"	AM8	50	AB8	50	RAM8
1"	AM13	50	AB13	50	RAM13

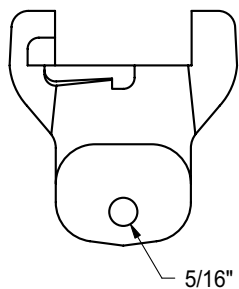
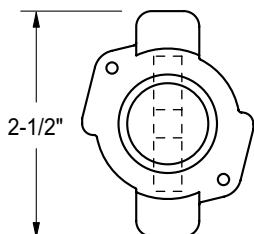
Dimensions

Size	A	B	C	D	NPT
3/8"	2 1/2"	2 7/16"	1 1/8"	3/8"	1/4"
1/2"	2 1/2"	2 7/16"	1 1/8"	3/8"	3/8"
5/8"	2 1/2"	2 7/16"	1 1/8"	3/8"	1/2"
3/4"	2 1/2"	2 1/2"	1 7/16"	3/8"	3/4"
1"	2 1/2"	2 1/16"	1 5/8"	3/8"	1"



All dimensions are nominal.

Blank Ends

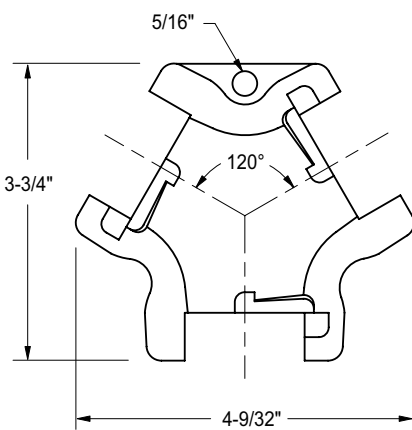


- Blank end fittings have no outlet and are used to block the line at any coupling point.
- The end opposite the coupling head is flat, with an eye for a chain to secure the fitting when not in use.
- Available in malleable iron, brass and 316 stainless steel.

Malleable Iron		Brass		316 Stainless Steel
Part #	pkg qty	Part #	pkg qty	Part #
AM0	25	AB0	25	RAM0

All dimensions are nominal.

Triple Connections



- Triple connection consists of three universal coupling heads in a "Y" form that provides an extra outlet when connected to the line.
- Available in malleable iron or brass.

Malleable Iron		Brass	
Part #	pkg qty	Part #	pkg qty
AM10	25	AB10	25

All dimensions are nominal.

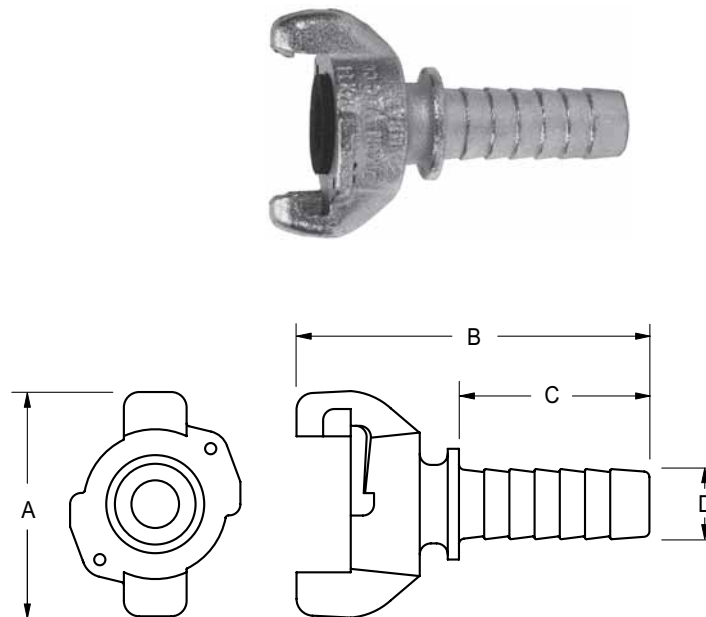
Hose Ends

- Shanks are long and deeply corrugated.
- Available in malleable iron, brass or 316 stainless steel (5/8" not available in Stainless Steel).
- Available in sizes 3/8" to 1".

Size	Malleable Iron		Brass		316 Stainless Steel
	Part #	pkg qty	Part #	pkg qty	Part #
3/8"	AMH	25	ABH	25	RAMH
1/2"	AM1	50	AB1	50	RAM1
5/8"	AM5	50	AB5	50	
3/4"	AM6	50	AB6	50	RAM6
1"	AM11	50	AB11	50	RAM11

Dimensions

Size	A	B	C	D
3/8"	2 1/2"	3 1/2"	1 11/16"	7/16"
1/2"	2 1/2"	3 7/16"	1 5/8"	17/32"
5/8"	2 1/2"	4 1/4"	2 7/16"	11/16"
3/4"	2 1/2"	3 15/16"	2 1/8"	25/32"
1"	2 1/2"	4 25/32"	2 13/16"	1 1/16"



All dimensions are nominal.

"AIR KING" Clamps

- Air King clamps should be used on all Air King shank fittings. Clamp fingers engage behind the universal head to anchor the coupling to the hose. The ridges on the underside provide additional retention.
- Available in zinc plated malleable iron in sizes 3/8" to 1".

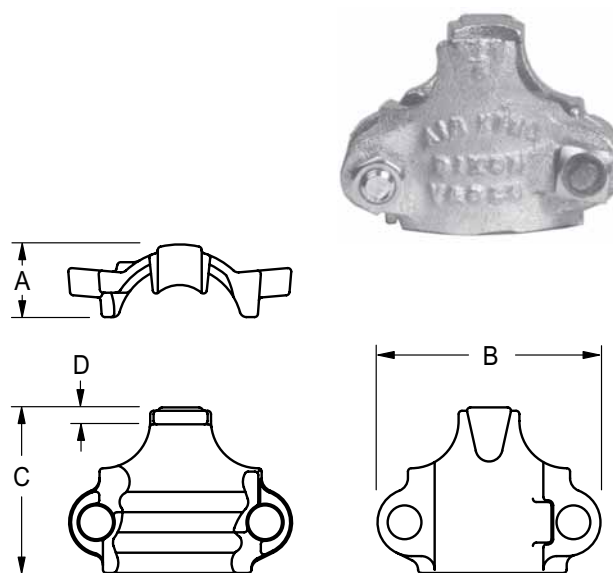
Size	Hose O.D.'s		Torque*	Part #	pkg qty
	From:	To:			
3/8"	11/16"	7/8"	6	CD	100
1/2"	1"	1 3/16"	6	A4	50
3/4"	1 1/8"	1 5/16"	12	A9	50
1"	1 5/16"	1 1/2"	12	A10**	50
1"	1 1/2"	1 13/16"	21	A14	50

* Recommended torque rating in ft. lbs.

** Can be used with **AM6** and **AM11**.

Dimensions

Size	A	B	C	D
3/8"	15/32"	1 3/8"	1 7/16"	1/8"
1/2"	11/16"	2 1/16"	1 17/32"	5/32"
3/4"	7/8"	2 1/2"	1 21/32"	1/8"
1"	7/8"	2 19/32"	1 15/16"	9/32"
1"	1"	3 1/32"	2 1/4"	5/32"



All dimensions are nominal.

"AIR KING" Safety Pins, Clips, Lanyards and Washers

The use of an "Air King" Safety Clip or wire type retainer is necessary to assure "Air King" Universal Couplings will not become accidentally disconnected. This guarantees the fittings are properly connected as the pin will not go through holes in mating flanges until the couplings are locked in place. Only one "Air King" Safety Clip or wire type retainer is required for each "Air King" Universal Coupling.



- Heavy duty.
- Oversized.
- **Sold only in bags of 25.**

"AIR KING" Safety Pins

Wire Diameter	Part #
.058	AKSP1
.091	AKSP25



- Same size for all coupling sizes.
- **Sold only in bags of 25.**

Standard Safety Clips

Part #
AC1



- Same size for all coupling sizes.

Stainless Steel Clips

Part #
AC7



- Same size for all coupling sizes.
- Synthetic cord
- **Sold only in bags of 25.**

Lanyards

Part #
ACL8



- Rubber temperature range: **-20° F to 160° F.**
- Neoprene temperature range: **-20° F to 190° F.**
- Neoprene is oil resistant.
- Same size for all coupling sizes.
- **Sold only in bags of 50.**

Washers

Description	Part #
Rubber	AWR4
Neoprene	AWS6

"AIR KING" 4-Lug Quick Acting Couplings

Rubber Washer for 4-lug Part #	Size	Malleable Iron	Brass	pkg qty
		Part #	Part #	
AWR14 Fits all sizes	1-1/4"	AM16	AB16	25
	1-1/2"	AM21	AB21	25
	2"	AM26	AB26	10
	1-1/4"	AM18	AB18	25
	1-1/2"	AM23	AB23	25
	2"	AM28	AB28	20

Rated to 150 PSI



Hose Ends



Female N.P.T. Ends

Not to be used for steam service.

NOTE: Safety clips are same size for both 2-lug and 4-lug Universal Couplings.

See page 6.

Use safety clips on all Universal Coupling applications.



Optional package quantity shown

"BOSS" Clamps

Hose I.D. Size	Hose O.D.'s From: To:		Plated Malleable Iron		Stainless Steel		Brass	
			Part #	pkg qty	Part #	Torque**	Part #	Torque**
1-1/4"	1-32/64"	1-50/64"	BU18	10	--	40	--	--
1-1/4"	1-44/64"	1-56/64"	187*	10	--	21	--	--
1-1/4"	1-50/64"	2-6/64"	BU19	10	--	40	--	--
1-1/4"	1-56/64"	2-4/64"	206*	20	--	21	--	--
1-1/4"	2-8/64"	2-24/64"	B19	10	RB19	40	BB19	28
1-1/2"	1-52/64"	2"	BU22	10	--	40	--	--
1-1/2"	2"	2-14/64"	B22	10	--	40	--	--
1-1/2"	2"	2-8/64"	212*	10	--	21	--	--
1-1/2"	2-4/64"	2-16/64"	225*	10	--	40	--	--
1-1/2"	2-12/64"	2-24/64"	BU24	10	RBU24	40	BBU24	28
1-1/2"	2-24/64"	2-36/64"	B24	10	RB24	40	BB24	28
1-1/2"	2-36/64"	2-48/64"	B25	10	--	40	--	--
2"	2-16/64"	2-32/64"	250* †	10	--	40	--	--
2"	2-22/64"	2-34/64"	BU28	10	--	60	--	--
2"	2-32/64"	2-48/64"	275* †	10	--	40	--	--
2"	2-32/64"	2-50/64"	BU29	10	RBU29	60	BBU29	40
2"	2-48/64"	3-4/64"	B29	10	RB29	60	BB29	40
2"	2-48/64"	3-4/64"	306* †	10	--	60	--	--
2"	3-6/64"	3-28/64"	B30	5	--	60	--	--



4-Bolt Type
2 Gripping Fingers



4-Bolt Type
4 Gripping Fingers*

* 4 gripping fingers.

** Torque applies to plated malleable iron and stainless steel clamps.

- The bolts used in the "Boss" interlocking clamps are not standard bolts. They vary from standard bolts in their length, diameter, overall thread length and material hardness. These bolts can be retorqued, but it is **not** recommended that the bolts or clamps be reused, as they are designed for a single bend only. Dixon recommends using only factory supplied replacement bolts.
- Torque values for clamps are based on "dry bolts". The use of lubricant on bolts will adversely effect clamp performance.
- Do not lubricate nuts and bolts.
- Recommended torque rating in ft. lbs.



Optional package quantity shown

Crowder Supply Co., Inc. • 8495 Roslyn St., Commerce City, CO 80022 • Toll Free: 888-883-5144 • www.CrowderSupply.com

In-Line Lubricators

Designed to protect portable or stationary air tools by efficiently oiling the tool mechanisms. Each time an air tool is operated, a fine mist of oil is injected into it along with the air from the compressor. Installation is recommended within 25 feet of the tool to be lubricated. Refer to the arrow for proper air flow direction. Transparent sight disc allows visual inspection of oil level. Oil flow is regulated by screwdriver screw adjustment. Not recommended for constant flow applications. Minimum flow rate is 30 SCFM.



NPT Size	Oil Capacity	Maximum Working Pressure	Air Flow at 70 PSI	Part #
1/2"	1.4 fluid ozs.	500 p.s.i.g.	30 s.c.f.m.	PL300
3/4"	3.7 fluid ozs.	200 p.s.i.g.	70 s.c.f.m.	PL400
3/4"	11.0 fluid ozs.	300 p.s.i.g.	70 s.c.f.m.	PL400L
1"	16.0 fluid ozs.	250 p.s.i.g.	100 s.c.f.m.	PL500

Type of oil to use

Use any petroleum-base, non-detergent light weight oil (SAE 10/150SSU) which will readily break up into a mist, i.e., Mobil DTE light or comparable oil. **Do not use any synthetic oil or oils containing additives or solvents.**

Compressor "Y"



Description	Part #
1" FNPT x two 3/4" MNPT	Y10075

Converts a single supply source to a dual outlet.

"AIR KING" with Ferrules

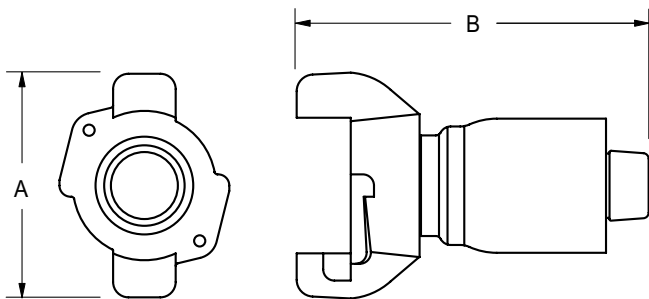


- Interchanges with other "Air King" fittings.
- Rated to **150 PSI** working pressure.
- Available in malleable iron and stainless steel.
- *Carbon steel ferrules.*
- Exclusive interlocking ferrule can be crimped or swaged depending on your coupling installation equipment (for crimp or swage diameter recommendations see page 9 of this brochure).

Size	O.D. Range		Part #	
	From:	To:	Malleable	Stainless
1/2"	27/32"	1 1/32"	AM1WF	----
3/4"	1 1/16"	1 11/32"	AM6WF	RAM6WF
1"	1 18/64"	1 34/64"	AM11WF-1	----
1"	1 30/64"	1 46/64"	AM11WF	----

Dimensions

Size	A	B
1/2"	2 1/2"	3 7/16"
3/4"	2 1/2"	3 15/16"
1"	2 1/2"	4 25/32"



All dimensions are nominal.

Crimped "AIR KING" Recommendation Guide

The chart at the right is only a guide. It will not apply to every coupling situation. In some instances alternative dies and crimping dimensions must be employed to ensure safety. Experience has shown that variances in the construction of similar hoses and couplings may cause some assemblies to react differently when crimped. It is not uncommon to find hose with an outer diameter that fluctuates from one end to the other or from production lot to production lot. These inconsistencies coupled with the inherent differences between textile or wire braid, hard or soft wall, the presence or absence of an internal spiral wire and the differences in hose coverings make it difficult to establish hard and fast rules. Therefore, its imperative that hose dimensions are accurately measured, assemblies are tested, and documentation is maintained.

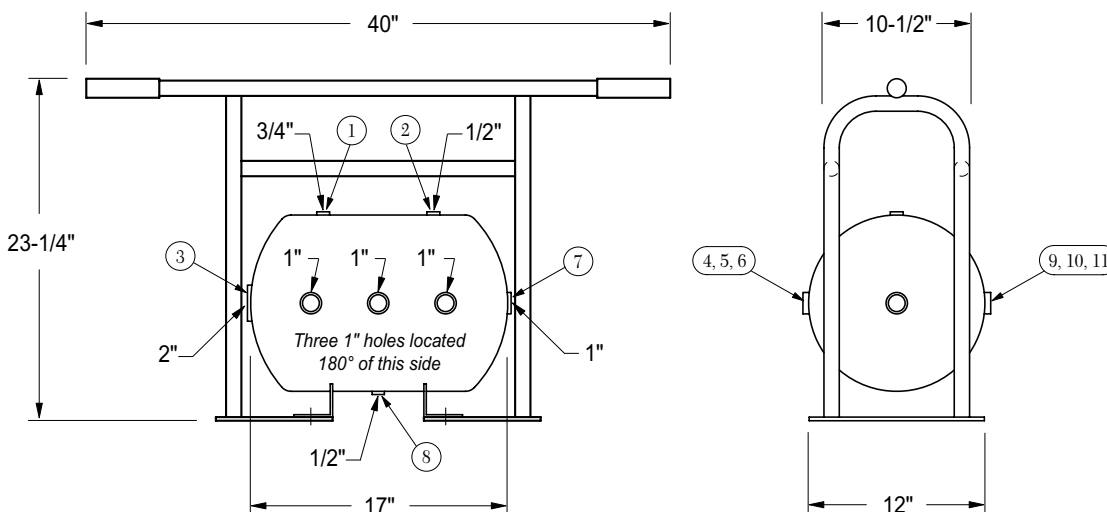
Hose Size	Part #	Fractional Hose O.D.	Swage Die Sizes	Die Part #	Crimp Diameter	% Reduction
Size(I.D.): 1/2"	AM1WF	54/64	1 3/16 x 29/32	1&3/16D4	0.906	18.3%
		55/64	1 3/16 x 15/16	1&3/16D5	0.937	13.2%
		56/64				16.9%
		57/64	1 3/16 x 31/32	1&3/16D3	0.968	12.1%
		58/64				15.5%
		59/64	1 3/16 x 1	1&3/16D	1.000	11.1%
		60/64				14.4%
		61/64				17.2%
		62/64	1 3/16 x 1 1/32	1&3/16D2	1.031	13.4%
		63/64				16.1%
Crimped Length: 1-1/4"		1	1 3/16 x 1 1/16	1&3/16D1	1.062	12.7%
		1-1/64				15.3%
		1-2/64	1 3/16 x 1 3/32	1&3/16D6	1.093	12.0%
		1-4/64	1 1/2 x 1 5/32	1&1/2D6	1.156	13.4%
		1-5/64				17.3%
		1-6/64	1 1/2 x 1 3/16	1&1/2D7	1.187	11.9%
		1-7/64				15.8%
		1-8/64	1 1/2 x 1 7/32	1&1/2D5	1.218	11.2%
		1-9/64				14.6%
		1-10/64				17.5%
Size(I.D.): 3/4"	AM6WF and RAM6WF	1-11/64	1 1/2 x 1 1/4	1&1/2D4	1.250	13.0%
		1-12/64				16.2%
		1-13/64	1 1/2 x 1 9/32	1&1/2D3	1.281	12.3%
		1-14/64				15.1%
		1-15/64	1 1/2 x 1 5/16	1&1/2D2	1.312	11.5%
		1-16/64				14.4%
		1-17/64				16.9%
		1-18/64	1 1/2 x 1 11/32	1&1/2D	1.343	13.5%
		1-19/64				15.9%
		1-20/64	1 1/2 x 1 3/8	1&1/2D1	1.375	12.6%
Crimped Length: 1-1/4"		1-21/64				15.0%
		1-22/64	1 1/2 x 1 13/32	1&1/2D8	1.406	12.1%
		1-18/64	1 11/16 x 1 3/8	1&11/16D4	1.375	16.7%
		1-19/64				20.5%
		1-20/64	1 11/16 x 1 13/32	1&11/16D5	1.406	15.0%
		1-21/64				18.6%
		1-22/64	1 11/16 x 1 7/16	1&11/16D8	1.437	13.7%
		1-23/64				17.5%
		1-24/64	1 11/16 x 1 15/32	1&11/16D6	1.468	12.8%
		1-25/64				16.1%
Size(I.D.): 1"	AM11WF-1	1-26/64	1 11/16 x 1 1/2	1&11/16D	1.500	11.5%
		1-27/64				14.7%
		1-28/64				17.6%
		1-29/64	1 11/16 x 1 17/32	1&11/16D2	1.531	13.9%
		1-30/64	1 7/8 x 1 17/32	1&7/8D8	1.531	16.8%
		1-31/64	1 7/8 x 1 9/16	1&7/8D5	1.562	12.8%
		1-32/64				15.4%
		1-33/64	1 7/8 x 1 19/32	1&7/8D6	1.593	12.0%
		1-34/64				14.7%
		Crimped Length: 1-1/2"	AM11WF	1-35/64	1 7/8 x 1 5/8	1&7/8D7
1-36/64						13.7%
1-37/64						15.9%
1-38/64	1 7/8 x 1 21/32			1&7/8D1	1.656	12.9%
1-39/64						15.1%
1-40/64	1 7/8 x 1 11/16			1&7/8D	1.687	12.4%
1-41/64						14.5%
1-42/64	1 7/8 x 1 23/32			1&7/8D2	1.718	11.8%
1-43/64						14.0%
1-44/64	1 7/8 x 1 3/4			1&7/8D4	1.750	11.3%
1-45/64				13.3%		
1-46/64				15.1%		

ASME Air Receiver Manifold



Compressor Air Receiver:

- Built to ASME Code, National Board registered
- 7 gallon capacity
- **200 PSI** working pressure
- All openings are female NPT thread
- Safety yellow painted



Dixon 1217AR-4AK Air Receiver Manifold Assembly with "Air King" Outlet Ports includes the following:

Part # / locations	Description
1217AR-4	7 gallon ASME Compressed Air Receiver
1217 Frame	1 Protective Frame
location 1	1 HB2F6M 3/4" Male x 1/4" Female Hex Bushing 1 GL345 0-300 PSI Gauge
location 2	1 HB2F4M 1/2" Male x 1/4" Female Hex Bushing 1 SV200 Safety Pop-Off Valve
location 3	1 GM28 2" Male Spud 1 B27SC Wing Nut Cap
locations 4, 5, 6, 7, 9, 10, 11	7 HB6F8M 1" Male x 3/4" Female Bushings 7 BCN75 3/4" Brass Hex Nipples 7 BBLV75 Ball Valves 7 SCVS6 Safety Shut-Off Valves 7 AM7 "Air King" Universal Couplings 4 1SELCSX100 45° Street Elbow (1 each in locations 4, 6, 9 and 11 only)
location 8	1 HB2F4M 1/2" Male x 1/4" Female Hex Bushing 1 D04 1/4" Drain Cock
1217AR-4AK	Air King Receiver Manifold Complete Assembly
Tank and Frame ONLY	
1217AR-4FR	7 gallon ASME Compressed Air Receiver with Frame

Crowder Supply Co., Inc. • 8495 Roslyn St., Commerce City, CO 80022 • Toll Free: 888-883-5144 • www.CrowderSupply.com

"KING" Safety Cables

When hose, couplings or clamps fail, or there is an accidental separation of the assembly, King Safety Cables minimize damage to equipment and injuries to operators. KING SAFETY CABLE reaches across the hose fittings to provide standby safety for hose. Spring-loaded loops in the cable ends open easily to pass over the couplings for a firm grip on the hose. Thoroughly tested with years of service. A positive safeguard for air hose connections - helps you meet today's safety standards. *KING SAFETY CABLE must be installed in the extended position (no slack).*



Features:

- Hose-to-hose or hose-to-rigid outlet
- King Cable is the low cost answer to eliminate injuries caused by broken air hose connections
- Highly resistant to rust and corrosion
- No tools needed - Easy to install and remove



Hose End Tool End

Style WSR, for hose-to-tool service

Cable	Part #	Hose I.D.	Length	Maximum W P PSI
1/8"	WSR1	1/2" to 1-1/4"	20-1/4"	200
3/16"	WSR3	1/2" to 2"	28"	200
1/4"	WSR2	1-1/2" to 3"	38"	200
3/8"	WSR4	4"	44"	200



Hose End Hose End

Style W, for hose-to-hose service

Cable	Part #	Hose I.D.	Length	Maximum W P PSI
1/8"	WB1	1/2" to 1-1/4"	20-1/4"	200
3/16"	WB3	1/2" to 2"	28"	200
1/4"	WA2	1-1/2" to 3"	38-1/4"	200
3/8"	WA4	4"	44"	200

Note: Cables are shipped with safety restraint labels attached. Labels are not pictured.

"KING" Safety Cable Options



WSR1E

WSR1E with stainless steel marine eye



WB1C

WB1 with safety clip and lanyard

Cable	Part #	Description	Maximum W P PSI
1/8"	WSR1C	WSR1 with safety clip and lanyard used to lock Air King couplings	200
1/8"	WB1C	WB1 with safety clip and lanyard used to lock Air King couplings	200
1/8"	WSR1E	WSR1 with stainless steel safety marine eye used to connect safety cable to a bolt on tool	200
1/4"	WA2B	WA2 with bronze/copper ferrule for special environmental conditions	200
1/8"	WB1SS	WB1 made with 304 stainless steel cable and springs with bronze/copper ferrules for special environmental conditions	200

OSHA Regulations

Standards - 29 CFR, 1915.131 (partial):

(e) Before use, pneumatic tools shall be secured to the extension hose or whip by some positive means to prevent the tool from becoming accidentally disconnected from the whip.

Standards - 29 CFR, 1926.302 (partial):

(b)(1) Pneumatic power tools shall be secured to the hose or whip by some positive means to prevent the tool from becoming accidentally disconnected.

Standards - 29 CFR, 1926.603 (partial):

(a)(9) Steam hose leading to a steam hammer or jet pipe shall be securely attached to the hammer with an adequate length of at least 1/4-inch diameter chain or cable to prevent whipping in the event the joint at the hammer is broken. Air hammer hoses shall be provided with the same protection as required for steam lines.

(a)(10) Safety chains, or equivalent means, shall be provided for each hose connection to prevent the line from thrashing around in case the coupling becomes disconnected.

Crowder Supply Co., Inc. • 8495 Roslyn St., Commerce City, CO 80022 • Toll Free: 888-883-5144 • www.CrowderSupply.com

Through its divisions and affiliated companies, Dixon is recognized as the premier manufacturer and supplier of hose fittings and accessories spanning a wide range of industrial uses. Dixon's reach includes products for food, dairy processing, beverage and brewery, mobile tankers, mining, construction, chemical processing, petroleum, oilfields, refining, nuclear and manufacturing.



The Right Connection™

Dixon Valve & Coupling Company

800 High Street, Chestertown, MD 21620

Customer Service: 800.355.1991

Fax: 800.283.4966

www.dixonvalve.com