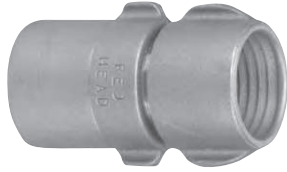


Expansion Ring Fire Hose Couplings

Complete Set - Brass



Brass Rocker Lug

Rack Hose
(No Lugs on Male)

Size	Thread	Bowl	Part #	Price/E
1½"	NPSH	1-11/16"	RRH15168	\$94.95
1½"	NST (NH)	1-11/16"	RRH15168F	94.95

Single Jacket

Size	Thread	Bowl	Part #	Price/E
1½"	NPSH	1-3/4"	RS15175	\$123.60
1½"	NPSH	1-13/16"	RS15181	123.60
2½"	NPSH	2-13/16"	RS25281	230.00
1½"	NST (NH)	1-3/4"	RS15175F	123.60
1½"	NST (NH)	1-13/16"	RS15181F	123.60
2½"	NST (NH)	2-13/16"	RS25281F	230.00

Double Jacket

Size	Thread	Bowl	Part #	Price/E
1½"	NPSH	1-15/16"	RD15193	\$123.60
1½"	NPSH	2-1/16"	RD15206	123.60
2½"	NPSH	3"	RD253	232.75
1½"	NST (NH)	1-15/16"	RD15193F	123.60
1½"	NST (NH)	2-1/16"	RD15206F	123.60
2½"	NST (NH)	3"	RD253F	232.75



Brass Pin Lug

Single Jacket

Size	Thread	Bowl	Part #	Price/E
1½"	NPSH	1-3/4"	S15175	\$159.00
1½"	NPSH	1-13/16"	S15181	123.60
2½"	NPSH	2-13/16"	S25281	254.55
1½"	NST (NH)	1-3/4"	S15175F	159.00
1½"	NST (NH)	1-13/16"	S15181F	123.60
2½"	NST (NH)	2-13/16"	S25281F	254.55

Double Jacket

Size	Thread	Bowl	Part #	Price/E
1½"	NPSH	1-15/16"	D15193	\$123.60
2½"	NPSH	3"	D253	232.75
1½"	NST (NH)	1-15/16"	D15193F	123.60
2½"	NST (NH)	3"	D253F	232.75

Complete Set - Hardcoated finish



Aluminum Rocker Lug **

- Special tooling is required to attach these couplings to hose (see page 475 for machine)
- All couplings come complete with expansion rings, swivel and tail washers.

** 3 rocker lugs on male and female

Single Jacket

Size	Thread	Bowl	Part #	Price/E
1"	NPSH	1-1/4"	S10125	\$44.00
1½"	NPSH	1-3/4"	S16175	51.50
1½"	NPSH	1-11/16"	S16168	51.50
1½"	NPSH	1-13/16"	S16181	51.50
2"	NPSH	2-1/4"	S20225	84.15
2"	NPSH	2-3/8"	S20375	106.00
2½"	NPSH	2-13/16"	S26281	99.50
1½"	NST (NH)	1-11/16"	S16168F	51.50
1½"	NST (NH)	1-3/4"	S16175F	51.50
1½"	NST (NH)	1-13/16"	S16181F	51.50
2½"	NST (NH)	2-11/16"	S26268F	99.50
2½"	NST (NH)	2-13/16"	S26281F	99.50
1½"	MNPT	1-11/16"	MS16168T	43.75
1½"	MNPT	1-3/4"	MS16175T	40.25
2"	MNPT	2-1/4"	MS20225T	52.15
2½"	MNPT	2-11/16"	MS26268T	64.00

Double Jacket

Size	Thread	Bowl	Part #	Price/E
1½"	NPSH	1-13/16"	D16181	\$51.50
1½"	NPSH	1-15/16"	D16193	51.50
1½"	NPSH	2-1/16"	D16206	60.50
2"	NPSH	2-5/16"	D20231	89.50
2½"	NPSH	3"	D263	94.10
1½"	NST (NH)	1-13/16"	D16181F	51.50
1½"	NST (NH)	1-15/16"	D16193F	51.50
1½"	NST (NH)	2-1/16"	D16206F	60.50
2½"	NST (NH)	2-7/8"	D26287F	94.10
2½"	NST (NH)	3"	D263F	94.10
1½"	MNPT	1-13/16"	MD16181T	40.25
2"	MNPT	2-5/16"	MD20231T	52.15
2½"	MNPT	2-7/8"	MD26287T	64.00

N
Fire
Equipment

For females only, use 2/3 set price. For males only, use 1/2 set price. Both shipped from the factory only.

Fire Hose Coupling Washers**Swivel Washers**

- Buna-N



ID	OD	Thickness	Part #	Price/E
1-1/16"	1-7/16"	1/8"	SW100F	\$2.00
1-9/16"	2-1/16"	1/8"	SW150	2.00
2-9/16"	3-3/16"	3/16"	SW250	3.15
3-1/16"	3-3/4"	1/4"	SW300F	4.80
4-1/6"	5-1/8"	1/4"	SW400F	9.15
4-9/16"	5-7/8"	1/4"	SW450F	10.20
5-3/32"	6-13/32"	1/4"	SW500F	15.15
6-1/16"	7-1/8"	1/4"	SW600F	14.25

Tail Washers

- Buna-N



ID	OD	Thickness	Part #	Price/E
1-9/16"	1-3/4"	3/16"	RTW150	\$1.90
1-9/16"	1-15/16"	3/16"	STW150	1.80
1-5/8"	2-1/8"	3/16"	DTW150	1.90
2-9/16"	3"	1/4"	STW250	3.20
2-5/8"	3-1/4"	1/4"	DTW250	3.25

Expansion Rings

- 85/15 red brass



OD	Length	Part #	Price/E
1"	1-1/4"	ER10125	\$8.25
1-1/2"	3/4"	ER1575	8.15
1-1/2"	7/8"	ER1587	9.25
1-1/2"	1"	ER1510	9.50
1-1/2"	1-1/4"	ER15125	9.55
1-3/4"	1-1/4"	ER17125	13.05
2-7/16"	1-1/4"	ER27125	17.25
2-7/16"	1-1/2"	ER27150	17.25
3"	2"	ER3020	29.00

Style Brute X-Pander**Compact Hand Pump**

- designed for forestry service, fire departments, small distributors and ski areas
- All-in-one design means fewer parts and no hydraulic connections making the X-Pander reliable and service free.
- may be used to attach 1" through 3" couplings
- ideal for in-house use or mounted in a service van for field repairs
- size: 13" wide x 17" deep x 10" high
- weight: 45 lbs.



Part #	Price/E
BruteXpander	\$8420.60

Note: Brute expanders *do not* include any expansion unit assemblies. They must be ordered separately.

Expansion Unit Assemblies

Description	Part #	Price/E
1½"	16154	\$1132.20
2½" (Storz also)	16171	1098.75

For a complete list of all available expansion units and sizes contact the factory for assistance.

Synthetic Mill Hose

Ideal for open end discharge applications. **Not intended for fire fighting service.**

Outer construction:
single jacket, all polyester

Tube construction:
black, natural rubber liner

Consult the factory for pricing and availability for any of the following features:

- 75' lengths
- other threads and configurations

rated pressure: **250 PSI** *
working pressure: **112 PSI** *
* at ambient temperature (70°F)

Uncoupled

Size	Bowl	Length	Part #	Price/E
1"	1-1/4"	50'	M10-50UC	\$86.35
1"	1-1/4"	100'	M10-100UC	172.70
1½"	1-11/16"	25'	M15-25UC	47.60
1½"	1-11/16"	50'	M15-50UC	95.20
1½"	1-11/16"	100'	M15-100UC	190.40
2"	2-1/4"	25'	M20-25UC	55.00
2"	2-1/4"	50'	M20-50UC	110.00
2"	2-1/4"	100'	M20-100UC	220.00
2½"	2-11/16"	25'	M25-25UC	76.15
2½"	2-11/16"	50'	M25-50UC	152.25
2½"	2-11/16"	100'	M25-100UC	304.50
3"	3-3/8"	25'	M30-25UC	91.15
3"	3-3/8"	50'	M30-50UC	182.35
3"	3-3/8"	100'	M30-100UC	364.65
4"	4-3/8"	25'	M40-25UC	138.90
4"	4-3/8"	50'	M40-50UC	277.80
4"	4-3/8"	100'	M40-100UC	555.60
6"	6-3/8"	25'	M60-25UC	244.20
6"	6-3/8"	50'	M60-50UC	488.40



uncoupled

Coupled with female and male expansion ring couplings

Size	Length	Part #	Rocker Lug Aluminum NST (NH)	Rocker Lug Aluminum
			RAF	NPSH RAS
1½"	50'	M15-50	\$182.80	\$183.65
1½"	100'	M15100	267.80	267.80
2"	50'	M20-50	---	269.25
2"	100'	M20100	---	362.50
2½"	25'	M25-25	204.55	---
2½"	50'	M25-50	297.55	---
2½"	100'	M25100	447.35	---



coupled

Mill Hose - White

Ideal for open end discharge applications. **Not intended for fire fighting service.**

Outer construction:
single jacket, all polyester

Tube construction:
black, natural rubber liner

Consult the factory for pricing and availability for any of the following features:

- additional lengths
- other configurations

Coupled with NPSH female and male King short shank couplings, preformed clamps Aluminum shank with brass pin lug swivel nut



Size	Clamps per End	Length	Working Pressure PSI at 70°F	Part #	Price/E
1½"	2	25'	75	M15-25KAS	\$84.70
1½"	2	50'	75	M15-50KAS	141.40
2"	2	25'	75	M20-25KAS	108.50
2"	2	50'	75	M20-50KAS	168.60
2½"	2	25'	50	M25-25KAS	139.35
2½"	2	50'	50	M25-50KAS	217.00
3"	3	25'	50	M30-25KAS	173.00
3"	3	50'	50	M30-50KAS	263.80

Coupled with NST (NH) female and male King short shank couplings, preformed clamps Aluminum shank with brass pin lug swivel nut



Size	Clamps per End	Length	Working Pressure PSI at 70°F	Part #	Price/E
1½"	2	25'	75	M15-25KAF	\$100.60
1½"	2	50'	75	M15-50KAF	156.45
2½"	2	25'	50	M25-25KAF	158.50
2½"	2	50'	50	M25-50KAF	236.15

Coupled with female and male (C & E) global aluminum cam and groove, preformed clamps



Size	Clamps per End	Length	Working Pressure PSI at 70°F	Part #	Price/E
1½"	2	25'	112	M15-25GAX	\$98.35
1½"	2	50'	112	M15-50GAX	152.50
2"	2	25'	112	M20-25GAX	128.40
2"	2	50'	112	M20-50GAX	188.40
2½"	2	25'	112	M25-25GAX	154.60
2½"	2	50'	112	M25-50GAX	232.30
3"	2	25'	112	M30-25GAX	177.40
3"	2	50'	112	M30-50GAX	268.30
4"	2	25'	112	M40-25GAX	258.55
4"	2	50'	112	M40-50GAX	410.75

new

Synthetic Double Jacket Mill Hose - Uncoupled

Ideal for open end discharge applications. *Not intended for fire fighting service.*

Outer construction:

double jacket, all polyester

Tube construction:

black, natural rubber liner

rated pressure: **250 PSI** *

working pressure: **200 PSI** *

* at ambient temperature (70°F)

Uncoupled

Size	Bowl	Length	Part #	Price/E
1½"	1-13/16"	50'	DM15-50UC	\$171.15
1½"	1-13/16"	100'	DM15-100UC	342.25
2"	2-5/16"	50'	DM20-50UC	210.20
2"	2-5/16"	100'	DM20-100UC	420.40
2½"	2-7/8"	50'	DM25-50UC	253.10
2½"	2-7/8"	100'	DM25-100UC	506.20



uncoupled

Polyester Double Jacket Mill Hose - Coupled

Not intended for fire fighting service.

Outer construction:

double jacket, all polyester

Tube construction:

black, natural rubber liner

rated pressure: **250 PSI** *

working pressure: **200 PSI** *

* at ambient temperature (70°F)

Coupled with female and male NST (NH) thread, rocker lug, aluminum expansion ring couplings

Size	Bowl	Length	Part #	Price/E
1½"	1-13/16"	50'	DM15-50RAF	\$222.90
1½"	1-13/16"	100'	DM15100RAF	411.30
2½"	2-7/8"	50'	DM25-50RAF	345.80
2½"	2-7/8"	100'	DM25100RAF	610.40



coupled

Coupled with male (NPT) x male (NPT) thread, rocker lug, aluminum expansion ring couplings

Size	Bowl	Length	Part #	Price/E
1½"	1-13/16"	50'	DM15-50RAT	\$280.15
1½"	1-13/16"	100'	DM15100RAT	423.50
2"	2-5/16"	50'	DM20-50RAT	351.85
2"	2-5/16"	100'	DM20100RAT	540.75
2½"	2-7/8"	50'	DM25-50RAT	410.45
2½"	2-7/8"	100'	DM25100RAT	625.45



**New
for 2012**

N
Fire
Equipment

300# Single Jacket All Polyester Fire Hose

Outer construction:
single jacket, all polyester

Tube construction:
EPDM rubber lining

Consult the factory for pricing and availability for any of the following features:

- 25' and 75' lengths
- U/L labeled hoses
- other threads and configurations

proof pressure: **300 PSI** *
service test pressure: **150 PSI** *
working pressure: **135 PSI** *
* at ambient temperature (70°F)



uncoupled

Uncoupled

Size	Bowl	Length	Part #	Price/E
1½"	1-3/4"	50'	A315-50UC	\$169.70
1½"	1-3/4"	100'	A315-100UC	339.40
2"	2-1/4"	50'	A320-50UC	276.70
2"	2-1/4"	100'	A320-100UC	553.40
2½"	2-13/16"	50'	A325-50UC	297.85
2½"	2-13/16"	100'	A325-100UC	595.70
3"	3-3/8"	50'	A330-50UC	465.00
3"	3-3/8"	100'	A330-100UC	930.00

Coupled with female and male expansion ring couplings



coupled

Size	Length	Part #	Rocker Lug	Rocker Lug	Pin Lug	Rocker Lug
			Aluminum NST (NH) RAF	Brass NST (NH) RBF	Brass NST (NH) PBF	Aluminum NPSH RAS
1½"	50'	A315-50	\$258.45	\$289.45	\$312.50	\$258.45
1½"	100'	A315100	439.00	489.55	507.25	439.00
2"	50"	A320-50	---	---	---	550.10
2"	100'	A320100	---	---	---	840.60
2½"	50'	A325-50	430.10	562.30	592.35	430.10
2½"	100'	A325100	793.50	902.70	959.80	793.50
3"	50'	A330-50	---	---	---	785.00
3"	100'	A330100	---	---	---	1273.25

500# Single Jacket All Polyester Fire Hose

Outer construction: single jacket, all polyester
Tube construction: EPDM rubber lining

Consult the factory for pricing and availability for any of the following features:

- 75' lengths
- U/L labeled hoses
- other threads and configurations

proof pressure: **500 PSI** *
 service test pressure: **250 PSI** *
 working pressure: **225 PSI** *
 * at ambient temperature (70°F)

Uncoupled

Size	Bowl	Length	Part #	Price/E
1"	1-1/4"	50'	A510-50UC	\$154.20
1"	1-1/4"	100'	A510-100UC new	308.40
1 1/2"	1-3/4"	50'	A515-50UC	185.45
1 1/2"	1-3/4"	100'	A515-100UC	370.90
2 1/2"	2-13/16"	50'	A525-50UC	313.00
2 1/2"	2-13/16"	100'	A525-100UC	626.00



uncoupled

Coupled with female and male expansion ring couplings

Size	Length	Part #	Rocker Lug Aluminum NST (NH) RAF	Rocker Lug Brass NST (NH) RBF	Pin Lug Brass NST (NH) PBF	Rocker Lug Aluminum NPSH RAS
1"	50'	A510-50	---	---	---	\$267.90
1"	100'	A510100	---	---	---	451.20
1 1/2"	25'	A515-25	\$199.30	---	---	199.30
1 1/2"	50'	A515-50	273.20	\$314.75	\$365.60	273.20
1 1/2"	100'	A515100	448.65	489.50	521.30	448.65
2 1/2"	25'	A525-25	329.15	---	---	329.15
2 1/2"	50'	A525-50	458.40	594.40	626.20	458.40
2 1/2"	100'	A525100	751.70	878.35	909.25	751.70



coupled

500# Single Jacket All-Polyester Fire Hose - UL labeled



Outer construction: single jacket, all polyester
Tube construction: EPDM rubber lining

- Underwriters Listed

proof pressure: **500 PSI** *
 service test pressure: **250 PSI** *
 working pressure: **225 PSI** *
 * at ambient temperature (70°F)

Consult the factory for pricing and availability for any of the following features:

- impregnated hose
- other lengths
- other threads and configurations

Coupled with female and male NST expansion ring couplings

Size	Coupling Type	Length	Part #	Price/E
1 1/2"	combo lug, brass	50'	A515U50CBF	\$360.50
1 1/2"	combo lug, brass	75'	A515U75CBF	490.90
1 1/2"	combo lug, brass	100'	A515U100CBF	657.70
2 1/2"	combo lug, brass	50"	A525U50CBF	625.00



coupled

500# Single Jacket Fire Hose - Color Impregnated

Outer construction: single jacket
Tube construction: EPDM rubber lining

Consult the factory for pricing and availability for any of the following features:

- other colors
- other lengths
- other threads and configurations

proof pressure: **500 PSI** *
 service test pressure: **250 PSI** *
 working pressure: **225 PSI** *
 * at ambient temperature (70°F)

Coupled with female and male expansion ring couplings

Size	Coupling Type	Length	Color	Part #	Price/E
1 1/2"	rocker lug, aluminum, NST	50'	yellow	A515Y50RAF	\$318.50
1 1/2"	rocker lug, aluminum, NST	50'	red	A515R50RAF	318.50
1 1/2"	rocker lug, aluminum, NST	50'	orange	A515OR50RAF new	318.50
1 1/2"	rocker lug, aluminum, NPSH	50'	orange	A515OR50RAS	318.50



coupled

800# Double Jacket All Polyester Fire Hose

Outer construction:
double jacket, all polyester

Tube construction:
EPDM rubber lining

Consult the factory for pricing and availability for any of the following features:

- 75' lengths
- other threads and configurations



coupled

proof pressure: **800 PSI** *
service test pressure: **400 PSI** *
working pressure: **360 PSI** *
* at ambient temperature (70°F)

Coupled with female and male expansion ring couplings

Size	Length	Part #	Rocker Lug Aluminum NST (NH) RAF	Rocker Lug Brass NST (NH) RBF	Pin Lug Brass NST (NH) PBF	Rocker Lug Aluminum NPSH RAS
1½"	25'	D815-25	\$220.00	---	---	---
1½"	50'	D815-50	339.70	\$361.95	\$412.35	\$339.70
1½"	100'	D815100	579.10	601.40	647.20	579.10
2½"	25'	D825-25	370.30	---	---	---
2½"	50'	D825-50	560.80	698.75	741.70	560.80
2½"	100'	D825100	1013.40	1087.15	1168.40	1013.40

800# Double Jacket All Polyester Fire Hose - Yellow Impregnated

Outer construction:
double jacket, all polyester

Tube construction: black, extruded synthetic rubber

Impregnation:
yellow

Consult the factory for pricing and availability for any of the following features:

- other lengths, threads, colors and configurations



coupled

proof pressure: **800 PSI** *
service test pressure: **400 PSI** *
working pressure: **360 PSI** *
* at ambient temperature (70°F)

Coupled with female and male NST (NH) thread, rocker lug, aluminum expansion ring couplings

Size	Length	Part #	Price/E
1½"	50'	D815Y50RAF	\$400.95
1½"	100'	D815Y100RAF	701.60
2½"	50'	D825Y50RAF	631.10
2½"	100'	D825Y100RAF	1113.65

Blue Double Jacket Potable Water Hose

Outer construction:
double jacket, all polyester

Tube construction:
thermoplastic

Impregnation: blue (color coded for water)

- NSF 61 approved lining for potable water



coupled

proof pressure: **600 PSI** *
service test pressure: **300 PSI** *
working pressure: **270 PSI** *
* at ambient temperature (70°F)

Coupled with female and male thread, rocker lug, brass expansion ring couplings

Size	Length	Thread	Part #	Price/E
1½"	50'	NPSH	PW615B50RBS	\$499.70
1½"	100'	NPSH	PW615B100RBS	765.60
2½"	50'	NPSH	PW625B50RBS	831.60
2½"	100'	NPSH	PW625B100RBS	1291.65
2½"	50'	NST	PW625B50RBF	831.60

500# All Polyester Rack Hose - Aluminum Couplings non-UL Labeled

Outer construction:
single jacket, all polyester

Tube construction:
clear thermoplastic

- **Not** to be used for washdown
For pin rack service / emergency fire fighting only.

proof pressure: **500 PSI** *
service test pressure: **250 PSI** *
working pressure: **225 PSI** *
* at ambient temperature (70°F)



folded

Coupled with female and male aluminum expansion ring couplings

Size	Length	Thread	Folded Part #	Price	Coiled Part #	Price
1½"	50'	NST	R515-50RAF/F	\$211.00	R515-50RAF	\$211.00
1½"	50'	NPSH	R515-50RAS/F	211.00	R515-50RAS	211.00
1½"	100'	NST	R515100RAF/F	332.80	R515100RAF	332.80
1½"	100'	NPSH	R515100RAS/F	332.80	R515100RAS	332.80



coiled

500# All Polyester Rack Hose - Aluminum Couplings UL Labeled

Outer construction:
single jacket, all polyester

Tube construction:
clear thermoplastic

- Underwriters Listed
- **Not** to be used for washdown
For pin rack service / emergency fire fighting only.

proof pressure: **300 PSI** *
service test pressure: **150 PSI** *
working pressure: **135 PSI** *
* at ambient temperature (70°F)



folded

Coupled with female and male aluminum expansion ring couplings

Size	Length	Thread	Folded Part #	Price	Coiled Part #	Price
1½"	50'	NST	R515U50RAF/F	\$239.45	R515U50RAF	\$239.45
1½"	50'	NPSH	R515U50RAS/F	239.45	R515U50RAS	239.45
1½"	100'	NST	R515U100RAF/F	429.55	R515U100RAF	429.55
1½"	100'	NPSH	R515U100RAS/F	429.55	R515U100RAS	429.55



coiled

N
Fire
Equipment

500# All Polyester Rack Hose - Brass Couplings non-UL Labeled



folded



coiled

Outer construction:
single jacket, all polyester

Tube construction:
clear thermoplastic

proof pressure: **500 PSI** *
service test pressure: **250 PSI** *
working pressure: **225 PSI** *
* at ambient temperature (70°F)

- **Not** to be used for washdown
For pin rack service / emergency fire fighting only.

Coupled with female and male brass expansion ring couplings

Size	Length	Thread	Folded Part #	Price	Coiled Part #	Price
1½"	50'	NST	R515-50CBF/F	\$233.70	R515-50CBF	\$233.70
1½"	100'	NST	R515100CBF/F	375.00	R515100CBF	375.00

UL 500# All Polyester Rack Hose - Brass Couplings UL Labeled



folded



coiled

Outer construction:
single jacket, all polyester

Tube construction:
clear thermoplastic

proof pressure: **300 PSI** *
service test pressure: **150 PSI** *
working pressure: **135 PSI** *
* at ambient temperature (70°F)

- Underwriters Listed
- **Not** to be used for washdown
For pin rack service / emergency fire fighting only.

Coupled with female and male brass expansion ring couplings

Size	Length	Thread	Folded Part #	Price	Coiled Part #	Price
1½"	50'	NST	R515U50CBF/F	\$261.85	R515U50CBF	\$261.85
1½"	100'	NST	R515U100CBF/F	454.10	R515U100CBF	454.10

MSHA Approved Mine Fire Hose

Approved by MSHA - (Mine Safety and Health Administration), for all mine fire protection applications.

Outer construction: single jacket,
flame resistant synthetic

Tube construction:
flame resistant lining

Coupled with female and male expansion ring couplings



coupled

Size	Length	Part #	Proof Pressure at 70°F	Service Test Pressure at 70°F	Working Pressure at 70°F	Rocker Lug Aluminum NST (NH) RAF	Rocker Lug Aluminum NPSH RAS
1½"	50'	SM515W50	500	250	225	\$544.70	\$544.70
1½"	50'	DM815W50	800	400	360	660.00	660.00

400# Nitrile Covered Fire Hose - Light Duty - Red

Outer construction:
thin ribbed nitrile

Tube construction:
nitrile

proof pressure: **400 PSI** *
service test pressure: **200 PSI** *
working pressure: **180 PSI** *
* at ambient temperature (70°F)

- Synthetic rubber compound specially formulated for flexibility, as well as abrasion and chemical resistance. Ribbed for hose protection and easy handling.
- Ideal for industrial and construction washdown and discharge applications.



uncoupled

Uncoupled

Size	Bowl	Length	Part #	Price/E
2"	2-1/4"	50'	H420R50UC	\$529.40

Coupled with Female and Male NPSH thread, brass expansion ring couplings with rocker lugs

Size	Length	Part #	Price/E
2"	50'	H420R50RBS	\$731.85



coupled

500# Nitrile Covered Fire Hose - Light Duty - Red

Outer construction:
thin ribbed nitrile

Tube construction:
nitrile

proof pressure: **500 PSI** *
service test pressure: **250 PSI** *
working pressure: **225 PSI** *
* at ambient temperature (70°F)

Consult the factory for pricing and availability for any of the following features:

- 25' lengths
- other colors, threads and configurations
- ideal for industrial and construction washdown and discharge applications.



uncoupled

Uncoupled

Size	Bowl	Length	Part #	Price/E
1½"	1-13/16"	50'	H515R50UC	\$379.20
2½"	2-13/16"	50'	H525R50UC	556.85

Coupled with female and male expansion ring couplings

Size	Length	Part #	Rocker Lug Aluminum NST (NH) RAF	Rocker Lug Brass NST (NH) RBF	Pin Lug Brass NST (NH) PBF	Rocker Lug Aluminum NPSH RAS
1½"	50'	H515R50	\$474.65	\$495.85	\$522.35	\$474.65
2½"	50'	H525R50	705.30	819.35	851.15	705.30



coupled

N
Fire
Equipment

Nitrile Covered Fire Hose - Heavy Duty - Yellow

Outer construction:
thick ribbed nitrile

Tube construction:
nitrile

proof pressure:
1½" - 3": **600 PSI**
4" - 5": **400 PSI**
6": **300 PSI**

service test pressure:
1½" - 3": **300 PSI**
4" - 5": **200 PSI**
6": **150 PSI**

working pressure:
1½" - 3": **270 PSI**
4" - 5": **180 PSI**
6": **135 PSI**

- Extruded interlocking matrix fire hose with 100% synthetic circular woven polyester reinforcement.
- heavy ribbed for severe service
- ideal for heavy-duty washdown, refineries and power plants
- all pressures listed are at ambient temperature (70°F)

Consult the factory for pricing and availability for any of the following features:

- 25' lengths
- other colors, threads and configurations



uncoupled

Uncoupled

Size	Bowl	Length	Part #	Price/E
1½"	1-13/16"	50'	H615Y50UC	\$583.35
2"	2-1/4"	50'	H620Y50UC	588.35
2½"	2-13/16"	50'	H625Y50UC	681.30
3"	3-3/8"	50'	H630Y50UC	780.35
4"	4-3/8"	50'	H440Y50UC	1076.55
6"	6-3/8"	50'	H360Y50UC	1734.00

Coupled with female and male expansion ring couplings



coupled

Size	Length	Part #	Rocker Lug Aluminum NST (NH) RAF	Rocker Lug Brass NST (NH) RBF	Pin Lug Brass NST (NH) PBF	Rocker Lug Aluminum NPSH RAS
1½"	50'	H615Y50	\$535.60	\$556.85	\$583.35	\$535.60
2½"	50'	H625Y50	811.40	875.00	928.00	811.40

Coupled with female and male segmented collar style couplings



coupled

Size	Length	STORZ thread size	Part #	Price/E
4"	50'	4"	H440Y50SZ	\$1337.25
5"	50'	5"	H450Y50SZ	1650.75

Chemical Booster Fire Hose

Coupled with female and male **NST (NH)** thread, hole type, chromed brass couplings. The vertical braid construction and red ozone resistant outer cover is designed to withstand the weathering and abrasion associated with severe service. See page 502 for hole type spanner wrench.

- working pressure: **800 PSI** at ambient temperature (70°F)

Coupled with female and male NST (NH) thread, chromed brass hole type couplings

Size	Length	Part #	Price/E
3/4"	50'	80B07-50HCF	\$1010.20
3/4"	100'	80B07-100HCF	1679.05
1"	50'	80B10-50HCF	1200.30
1"	100'	80B10-100HCF	2016.25



Aluminum Hose Type Booster Hose Couplings

- hardcoat finish
- complete set
- working pressure: **800 PSI** at ambient temperature (70°F)

Hose Size	Thread Type	Bowl Size	Part #	Price/E
3/4"	1" NPSH	1-3/16"	ABH08118	\$174.40
3/4"	1" NPSH	1-1/4"	ABH08125	174.40
1"	1" NH (NST)	1-7/16"	ABH10143F	203.70
1"	1" NH (NST)	1-1/2"	ABH10150F	203.70
1"	1" NH (NST)	1-9/16"	ABH10156F	203.70

- * 3/4" and 1" NST threads are the same size
Also known as **Chemical Hose Thread (CHT)** or **Booster Hose Thread**



Brass Hole Type Booster Hose Couplings

- polished chrome plated
- complete set
- working pressure: **800 PSI** at ambient temperature (70°F)

Hose Size	Thread Type	Bowl Size	Part #	Price/E
3/4"	3/4" NH (NST)	1-3/16"	BW07118F-PC	\$393.05
3/4"	3/4" NH (NST)	1-1/4"	BW07125F-PC	393.05
1"	1" NH (NST)	1-7/16"	BW10143F-PC	393.05
1"	1" NH (NST)	1-1/2"	BW10150F-PC	393.05
1"	1" NH (NST)	1-9/16"	BW10156F-PC	393.05

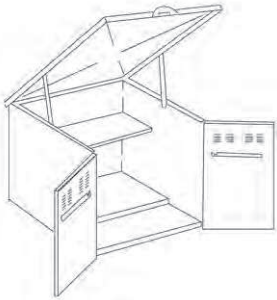
- * 3/4" and 1" NST threads are the same size.
Also known as **Chemical Hose Thread (CHT)** or **Booster Hose Thread**



**New
for 2012****Steel Hydrant House**

The hydrant house is constructed of heavy 16-gauge steel throughout, including the shelves. The roof is one-piece construction, sloped to the rear for adequate drainage. It is hinged at the rear with arms at both sides and has a hasp centered in the front. Doors are fitted with a full-length latch and cross brace to insure firm and neat closing. Sufficient space is provided to store all equipment specified by both FM and NFPA standards, plus room for additional equipment.

- red polyester coated finish
- FM approved
- 'FIRE HOSE' decal is provided for the cabinet front
- does not come with hose or accessories
- accessory hardware is required but is not included
- concrete base is to be supplied by a contractor
- shipped unassembled with instructions



Part #	Powhatan Part #	Price/E
HH30145	30-145-00002	\$2155.00

Dimensions

cabinet #	width	depth	height
HH30145	45½"	45½"	34½"

**New
for 2012****Steel Hose Cabinet**

The wall type hose cabinet is constructed of heavy 18-gauge steel throughout. It is used for storage for industrial fire protection equipment. The cabinet is designed for use on walls with or without legs, or free standing. Each cabinet is supplied with holes in the back for wall mounting and 1" pipe couplings on the bottom for adding legs.

- red polyester coated finish
- FM approved
- does not come with hose or accessories
- accessory hardware is required but is not included
- furnished without legs - if legs required - POR
- concrete base is to be supplied by a contractor



Part #	Powhatan Part #	Price
HC30143	30-143-00001	\$2025.00

Dimensions

cabinet #	width	depth	height
HC30143	60"	15"	48"

Basic Approved Equipment for House/Cabinet

Examples			Quantity Required		
Part #	Description	Page #	FM	UL and FIA	ISO
A525-50RAF ¹	2½" x 50' single jacket hose	483	4	5	5
A515-50RAF ¹	1½" x 50' single jacket hose	483	2	0	0
UPP250F ¹	Underwriters play pipe	523	0	2	2
BFN250NST ¹	2½" adjustable fog nozzle	521	2	0	0
BFN150NST ¹	1½" adjustable fog nozzle	521	1	0	0
HA2515F ¹	2½" x 1½" pin lug adapter	512	1	0	0
HLS	hose and ladder strap	contact Dixon Powhatan	0	2	2
233	universal spanner	502	4	5	5
189	adjustable hydrant wrench	503	2	2	2
PHFA6	6 lb. fire axe	contact Dixon Powhatan	0	1	1
FCB48	crowbar	contact Dixon Powhatan	0	1	1
SW150 ¹	2½" hose coupling gasket	478	4	5	5
SW250 ¹	1½" hose coupling gasket	478	2	0	0

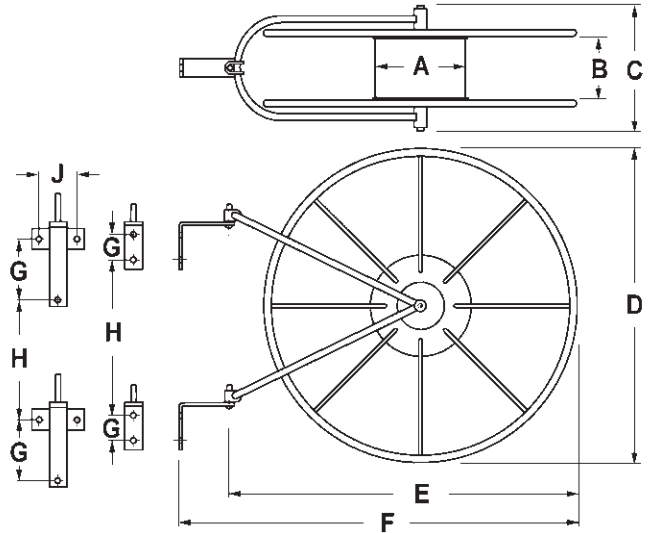
¹ Threads must be appropriate to the authority having jurisdiction.

Style V Swing Wall Reels



hose and valve not included

- Pivot mounting allows the reel to swing to the proper angle, preventing twists and kinks.
- red enameled all-steel construction for long, dependable service life
- Double row design of V5 holds two rows of hose for maximum capacity in minimum space.
- open sides allow hose to dry faster, preventing mold and mildew



Swing Wall Reels

Hose ID	Part #	Hose Capacity			A	B	C	D	E	F	G	H	Price/E
		Rack	Single	Double									
1½" - 1¾"	FHR-V1	100'	75'	50'	8"	3"	7½"	21"	23"	27"	2"	11-3/8"	\$250.00
1½" - 1¾"	FHR-V2	150'	100'	75'	8"	3"	7½"	26"	29"	33"	2"	15"	250.00
1½"	FHR-V5	300'	200'	150'	8"	5½"	9½"	26"	30"	34"	2"	13"	282.00
2" - 2½"	FHR-V5	150'	100'	75'	8"	5½"	9½"	26"	30"	34"	2"	13"	282.00

Cover for Swing Wall Reels

- fluorescent red vinyl coated nylon with Velcro™ closures
- printed on both sides

used with	Dimensions	Part #	Price/E
<i>FHR-V2</i>	26" x 8"	FHR-C	\$64.45
<i>FHR-V1</i>	21" x 6"	FHR-C1	51.25
<i>FHR-V5</i>	26" x 10"	HSRC26	66.30

Swing Type Hose Storage Reels

- steel construction
- red enamel finish
- 180° swing
- small reel hub allows for more hose storage

Hose ID	Part #	Hose Capacity		Price/E
		Light Weight	Rubber Lined	
1½"	HSR18	150'	50' - 75'	\$263.75
1½"	HSR24	250'	100'	316.65
2½"	HSR25-24	100'	100'	478.90



N
Fire
Equipment

Cover for Swing Type Hose Storage Reels

Cover for	Fits Hose Reel Diameter	Part #	Price/E
<i>HSR18</i>	16" - 18"	HSRC18	\$49.35
<i>HSR24</i>	24"	HSRC24	59.75
<i>HSR25-24</i>	24" - 25"	HSRC25-24	57.55

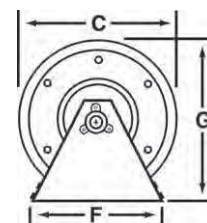
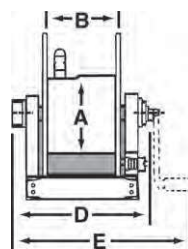
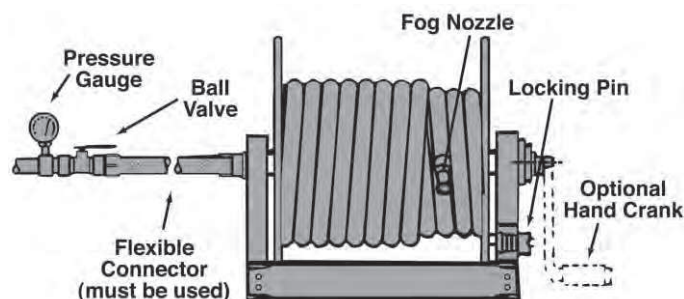


Continuous Flow Reels

Used to allow immediate and continuous flow of water at all times during deployment of hose. Can be easily operated by one person. Use with non-collapsible hose (hose not included) shown on page 489.

Standard Features:

- powder coated with an electrostatically-applied, thermally-fused, red polyester finish steel drum
- rims and universal mounting stand
- female NPT inlet with male NST outlet



Part #	Hose Size and Capacity			Dimensions (inches)							Inlet Size (inches)	Outlet Size (inches)	Wt. (lbs)	Price/E
	¾"	1"	1½"	A	B	C	D	E	F	G				
CFR47-1-100	150	125	---	10½	11½	24	19¼	24	21¾	26	1	1	53	\$1972.75
CFR47-150-100	250	150	100	10½	20½	24	28¼	33	21¾	26	1½	1½	60	1972.75
CFR47-1-200	400	300	150	10½	28	24	35¾	40½	21¾	26	1½	1½	64	2041.65
CFR47-150-200	---	---	200	10½	34	24	41¾	46½	21¾	26	1½	1½	72	2041.65

Note: A flexible connector assembly must be installed directly between the hose reel inlet hub and the water supply. Failure to use the flexible connector assembly shall void the warranty.

Optional Accessories

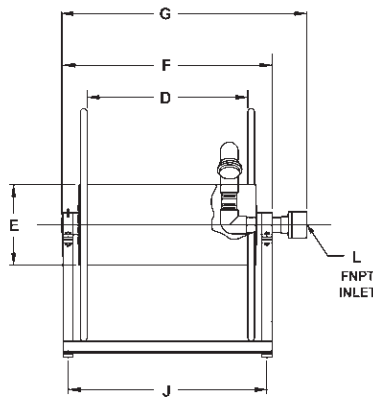
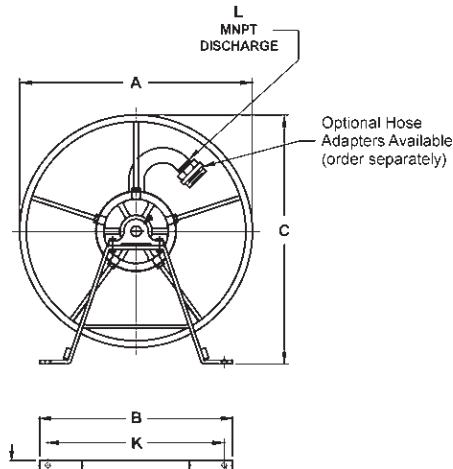
Description	Part #	Price/E
1" x 18" flexible connector	DX2836	\$175.00
1½" x 18" flexible connector	DX2839	175.00
hand crank	CFR-HC	145.45
repair kit (contains O-ring, Teflon® retaining ring for the inlet casting, spacer washer, 2 steel retaining rings for the manifold)	CFR-RK	114.15

Cover for Continuous Flow Hose Reels



Cover for	Dimensions	Part #	Price/E
CFR47-1-100	26" x 20"	CFR47-C1	\$126.75
CFR47-1-200	26" x 36"	CFR47-C2	172.60
CFR47-150-100	26" x 29"	CFR47-C3	176.75
CFR47-150-200	26" x 42"	CFR47-C4	193.95

Global Continuous Flow Reel (original Wirt & Knox design)



Part #	Dimensions										Wt. (lbs)	Price/E
	A	B	C	D	E	F	G	J	K	L		
FD47I-150-100	24"	19"	26"	20"	10"	26"	31"	24¾"	17"	1½"	92	\$745.10

Global Continuous Flow Hose Reel Cover

Cover for	Dimensions	Part #	Price/E
FD47I-150-100	22" x 24" x 24"	FD47-C2	\$145.95



Replacement Inlet Swivel Joints for Wirt & Knox Continuous Flow Reels

Size	Part #	Material	Weight (lbs)	List Price
1"	1212-0534-4	steel	3.3	\$248.50
1½"	1212-0540-4	steel	5	\$362.00



N
Fire
Equipment

Non-collapsible Fire and Utility Hose - Red

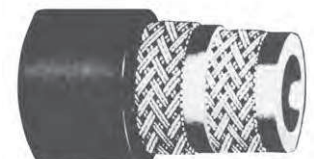
- working pressure: 150 PSI

Consult the factory for pricing and availability for any of the following features:

- other lengths
- other threads and configurations

Coupled with female and male NST (NH) thread, rocker lug, brass expansion ring couplings

Size	Length	Part #	Price/E
1½"	50'	15B15-50RBF	\$964.70
1½"	100'	15B15-100RBF	1825.15

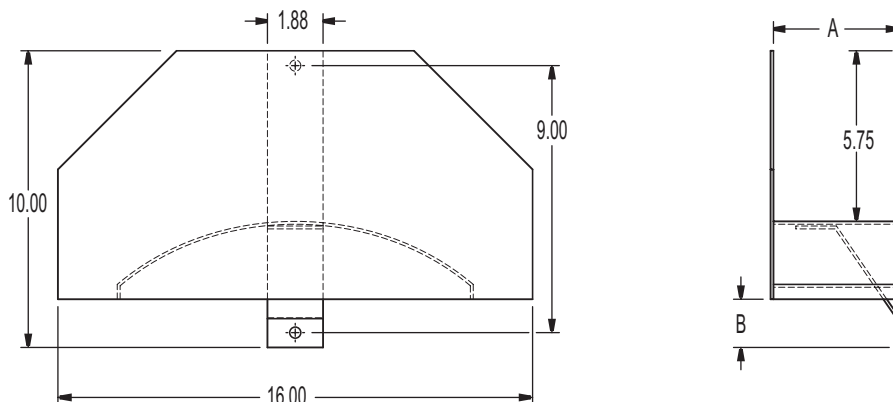


Saddle Hose Racks - Steel

- can be used for fire or water hose
- fabricated of heavy, 12 gauge sheet steel for rugged industrial and shipboard use
- provides compact and economical hose storage
- curved saddle design avoids sharp bends in the hose prolonging hose life
- red enamel finish



Hose Size	Rack Capacity			Wt. Lbs.	Part #	Price/E
	Rack	Single Jacket	Double Jacket			
1½" - 1¾"	50'	---	---	---	HR1610-3	\$110.65
1½" - 1¾"	100'	---	---	---	HR1610-6	130.15
1½" - 2½"	200'	150'	100'	7.8	HR1610	162.80
2" - 2½"	50'	---	---	---	HR1610-4	119.45



Model	Hose Size		Hose Capacity			Dimensions		Shipping Weight (lbs.)
			Synthetic Lined	Single Jacket	Double Jacket	A	B	
HR1610-3	1½"	1¾"	100'	75'	50'	3-1/8"	3/4"	6
HR1610-4	2"	2½"	100'	75'	50'	4-1/4"	1-5/8"	6
HR1610-6	1½"	1¾"	200'	150'	100'	6-1/4"	1-5/8"	7
HR1610	2"	2½"	200'	150'	100'	9"	3"	8

Hump Racks

- compact, neat and economical method of storing collapsible hose
- pivot mounting permits rack to swing, preventing kinks and twists
- rugged steel construction provides long, dependable service
- red enamel finish for protection and appearance
- open sides allow faster drying to prevent mold and mildew
- wall mounting brackets are standard



Hose Size	Hose Capacity			Part #	Price/E
	Synthetic	Single Jacket	Double Jacket		
1½" - 1¾"	100'	50'	---	FHHR-1	\$220.00
1½" - 1¾"	150'	100'	50'	FHHR-3	321.25
2" - 2½"	100'	50'	---	FHHR-2	220.00
2" - 2½"	150'	100'	50'	FHHR-4	327.30
1½" - 1¾"	200'	150'	100'	FHHR-5	340.65

Cover for Hump Racks



Cover for	Dimensions	Part #	Price/E
FHHR-1 or FHHR-2	16" x 25½" x 6"	FHHR-C	\$118.90
FHHR-3 or FHHR-4	24" x 29½" x 6"	FHHR-C4	132.65
FHHR-5	33½" x 35½" x 6"	FHHR-C5	148.15

Crowder Supply Co., Inc. • 8495 Roslyn St., Commerce City, CO 80022 • Toll Free: 888-883-5144 • www.CrowderSupply.com



Fire Hose Pin Rack and Accessories



FHPR150



PRN150F



PRWB



PRC



PRC-SPANISH

Description	Part #	Price/E
Steel red enameled rack is Underwriters Listed and Factory Mutual approved. Holds up to 100' of 1½" rack hose. For use with PRN150F and AVF150 .	FHPR150	\$149.00
Steel red enameled rack is Underwriters Listed and Factory Mutual approved. Holds up to 100' of 1½" rack hose. For use with PRN250F and AVF250 .	FHPR2515	170.00
1½" male NPT x 1½" male NST (NH), polished brass rack nipple	PRN150F	36.60
2½" male NPT x 2½" male NST (NH), polished brass rack nipple	PRN250F	110.55
Aluminum wall bracket used to support hose rack independent of stand pipe valve	PRWB	91.60
Hose rack cover in 10 oz. red vinyl with Velcro™ closures Dimensions: 25" high x 30" wide x 6" deep	PRC	60.00
	PRC-SPANISH	60.00

Continuous Swiveling Elbows

Short style radius, 2½" measured from the center of the waterway to the end of the discharge thread.

- cast brass finish
- designed to allow a hose to swing when connected
- full waterway reduces friction loss

Female NPT x Male NST (NH)	Part #	Price/E
1½" x 1½"	CSES150F	\$270.00
2" x 1½"	CSES2015F	270.00
Female NPT x Male NPT	Part #	Price/E
1½" x 1½"	CSES150T	\$270.00



N
Fire
Equipment

Angle and Suction Elbows

For use on pump discharge valves or suction inlets to minimize hose kinking.

- rocker lug

Female NST (NH) x Male NST (NH)	Material	Part #	Price/E
45°, 2½" x 2½"	brass	RSE45250F	\$261.65
45°, 2½" x 2½"	chromed brass	RSE45250F-C	289.30
90°, 2½" x 2½"	brass	RSE90250F	210.10



45°



Cast Brass Angle Hose Valves

- cast brass with an aluminum handwheel
- for pressures up to **300 PSI**
- Underwriters Listed and Factory Mutual approved
- New York City Board of Standards and Appeals approved

Powhatan Cast Brass Domestic Angle Hose Valves



female x male

Description	Part #	Price/E	Pkg Qty
1½" female NPT x 1½" male NST (NH)	AV150	\$305.70	10
2½" female NPT x 2½" male NST (NH)	AV250	473.65	6
1½" female NPT x 1½" female NPT	AVF150	305.70	10
2½" female NPT x 2½" female NPT	AVF250	473.65	6
1½" aluminum replacement handwheel	AV150-W	27.85	---
2½" aluminum replacement handwheel	AV250-W	29.35	---



Powhatan Cast Brass Global Angle Hose Valves



female x female

Description	Part #	Price/E	Pkg Qty
1½" female NPT x 1½" male NST (NH)	AV150-I	\$110.00	10
2½" female NPT x 2½" male NST (NH)	AV250-I	221.30	6
1½" female NPT x 1½" female NPT	AVF150-I	110.00	10
2½" female NPT x 2½" female NPT	AVF250-I	221.30	6
2½" inlet grooved x 2½" male NH (NST)	AVG250F-I	221.30	---
2½" inlet grooved x 2½" female NPT	AVGF250-I	221.30	---
1½" aluminum replacement handwheel	AV150-W	27.85	---
2½" aluminum replacement handwheel	AV250-W	29.35	---



Global Forged Brass Angle Hose Valves



male x female

- Underwriters Listed and Factory Mutual approved
- for use with a fire hose rack assembly, or as a fire department outlet connection
- for pressures up to **300 PSI**
- forged brass with aluminum red painted hand wheel



female x female

Description	Part #	Price/E	Pkg Qty
1½" female NPT x 1½" male NST (NH)	AV151	\$155.50	1
2½" female NPT x 2½" male NST (NH)	AV251	288.30	1
1½" female NPT x 1½" female NPT	AVF151	155.50	1
2½" female NPT x 2½" female NPT	AVF251	288.30	1
red handwheel for AV151	AV151-WR	24.00	---
red handwheel for AV251	AV251-WR	33.70	---



Adjustable Pressure Restricting Device

- intended for installation on Class I or Class III standpipe system hose outlets
- Use of this device restricts pressure in the piping system to such a degree that hose lines can be handled by persons untrained in the handling of heavy fire streams.
- listed by the New York City Board of Standards and Appeals
- 2½" is Underwriters Listed
- Note: *restricts under flow conditions only*



Female NST (NH) Inlet	Male NST (NH) Outlet	U/L	Working Pressure at 70°F	Cast Brass		Price/E
				Dixon Part #	Powhatan Part #	
1½"	1½"	No	175 PSI	APRD150F¹	18-255-00102	\$340.30
2½"	2½"	Yes	175 PSI	APRD250F	18-255-00011	355.15

¹ 1½" is *not* Underwriters Listed

Other threads and finishes, including chrome plated, are also available.

Consult factory for pricing and availability.

Roof Connections

Used to create roof connections, fire pump test connections, wall hydrants or sidewalk (free standing) hydrants.

- cast brass
- provides 250 GPM minimum per outlet
- Underwriters Listed
- for pressures up to **175 PSI** at ambient temperature (70°F)

Shape	Female NPT Inlet	(2) Outlets	Dixon Part #	Powhatan Part #	Price/E
straight	4"	2½" male NPT	IRC4025	---	\$207.20
straight	4"	2½" male NST	IRC4025F	---	207.20
straight	6"	2½" male NPT	FRC6025	26-294-00010	657.10
straight	6"	2½" male NST	FRC6025F	26-294-00011	657.10
90°	4"	2½" male NPT	90IRC4025	---	230.00
90°	4"	2½" male NST	90IRC4025F	---	230.00
90°	6"	2½" male NPT	90FRC6025	26-296-00008	607.70
90°	6"	2½" male NST	90FRC6025F	26-296-00011	607.70



straight



90°

Roof manifolds are also available, consult the factory for pricing and availability.

Single Clapper Siamese Connections

Single swing clapper with two pin lug swivel inlets. Provides the required 500 GPM minimum to supplement the fire protection as an auxiliary inlet connection to the water supply (250 GPM minimum per inlet). The swing clapper design provides an unobstructed waterway. Exposed Fire Department Connections (FDC) provide an economical method to satisfy local fire codes.

- cast brass finish
- branding: Auto-Sprk only
- Underwriters Listed and Factory Mutual approved
- for use up to **250 PSI** at ambient temperature (70°F)

Back Outlet

Shape	Outlet Female NPT	(2) Inlets Female NH (NST)	Dixon Part #	Powhatan Part #	Price/E
straight	4"	2½"	SCS4025F	21-201-01976	\$265.20
straight	4"	2½"	ISCS4025F	---	231.35 NEW



straight - back outlet



90° - bottom outlet

Bottom Outlet

Shape	Outlet Female NPT	(2) Inlets Female NST (NH)	Dixon Part #	Powhatan Part #	Price/E
90°	4"	2½"	90SCS4025F	21-202-00054	\$360.95
90°	4"	2½"	90ISCS4025F	---	296.55 NEW

Double Clapper Siamese Connections

Double drop clappers with two pin lug swivel inlets. Provides the required 500 GPM minimum to supplement the fire protection as an auxiliary inlet connection to the water supply (250 GPM minimum per inlet). Exposed Fire Department Connections (FDC) provide an economical method to satisfy local fire codes.

- cast brass finish
- branding: Auto-Sprk, other branding also available (consult the factory for pricing and availability)
- 4" is Underwriters Listed and Factory Mutual approved
- for use up to **175 PSI** at ambient temperature (70°F)

Shape	Female NPT Outlet	(2) Female NST (NH) Inlets	Dixon Part #	Powhatan Part #	Price/E
straight	4"	2½"	DCS4025F	21-132-00016	\$855.70
90°	4"	2½"	90DCS4025F	21-133-00008	847.10
straight	6"	2½"	DCS6025F ¹	21-132-00061	962.45
90°	6"	2½"	90DCS6025F ¹	21-133-00060	867.25



straight - back outlet



90° - bottom outlet

¹ 6" is *not* Underwriters Listed or Factory Mutual approved

**New
for 2012****Sleeve for Sidewalk Connections
(free standing)**

Used in conjunction with a sidewalk escutcheon and a 90° double clapper Siamese to create a sidewalk (free standing) fire department connection.

- material: *cast brass*
- finish: -P polished, -C polished chrome plated



Pipe Size	Length	Part #	Powhatan Part #	Price
4"	18"	SS418-P	23-404-00003	\$363.65
	18"	SS418-C	23-404-00005	412.15
	24"	SS424-P	23-404-00014	455.75
6"	24"	SS424-C	23-404-00124	533.35
	18"	SS618-P	23-404-00011	436.40
	18"	SS618-C	23-404-00012	460.60

**New
for 2012****Round Identification Plates**

Used to trim out and identify exposed fire department connections.

- for Siamese, made in 9¼" diameter for 4" pipe and 11¼" diameter for 6" pipe
- branded: 'standpipe', 'auto-sprkr', 'auto-sprkr.-standpipe'
- material: *cast brass*
- finish: -P polished, -C polished chrome plated



Pipe Size	OD	Hole Size	Branding	Part #	Powhatan Part #	Price
2½"	7-5/8"	3-1/4"	Auto-Sprinkler	REP250AS	24-209-00347	\$75.65
			Auto-Sprinkler	REP250AS-P	24-209-00319	97.60
			Auto-Sprinkler	REP250AS-C	24-209-00364	137.75
			Wall Hydrant	REP250HY	24-209-00266	75.65
			Pump Test	REP250PT	24-209-00404	75.65
			Standpipe	REP250SP	24-209-00360	75.65
			Standpipe	REP250SP-P	24-209-00248	97.60
			Standpipe	REP250SP-C	24-209-00466	137.75
			4"	9-1/4"	4-5/8"	Auto-Sprinkler
Auto-Sprinkler	REP400AS-P	24-209-00285				177.15
Auto-Sprinkler	REP400AS-C	24-209-00286				227.35
Wall Hydrant	REP400HY	24-209-00310				153.90
Standpipe	REP400SP	24-209-00287				153.90
Standpipe	REP400SP-P	24-209-00289				177.15
Standpipe	REP400SP-C	24-209-00290				227.35
Auto-Sprinkler & Standpipe	REP400AS/SP	24-209-00307				153.90
6"	11-1/4"	6-3/4"				Auto-Sprinkler
			Auto-Sprinkler	REP600AS-P	24-209-00301	243.75
			Auto-Sprinkler	REP600AS-C	24-209-00480	293.80
			Standpipe	REP600SP	24-209-00303	195.90
			Standpipe	REP600SP-P	24-209-00305	243.75
			Standpipe	REP600SP-C	24-209-00302	293.80

Brass Plain Wye with Pin Lugs

- female swivel, two male outlets
- divides one stream into two

Female NST (NH)	(2) Male NST (NH)	Dixon Part #	Powhatan Part #	Price/E
1½"	1½"	PW15F15F	04-106-00009	\$275.85
2½"	1½"	PW25F15F	04-106-00021	395.00
2½"	2½"	PW25F25F	04-106-00032	375.00



Aluminum Plain Wye with Rocker Lugs

- female swivel, two male outlets
- divides one stream into two

Female Thread	(2) Male NPSH	Dixon Part #	Price/E
1" female NPSH	1"	ARPW10S10S	\$290.35
1½" female NST(NH)	1"	ARPW15F10S	430.50



Brass Caps with Chain

- cast brass finish
- pin lug
- *NOT intended for pressure applications - for protection only*

SAFETY
ALERT

-C polished chrome plated

Size	Thread	Dixon Part #	Powhatan Part #	Price/E
1"	NST (NH)	RFC100F¹	17-126-00026	\$45.10
1½"	NST (NH)	FC150F	17-126-00038	21.40
1½"	NST (NH)	FC150F-C	17-126-00037	28.75
1½"	NST (NH)	RFC150F¹	17-126-00055	23.50
2½"	NST (NH)	FC250F	17-126-00303	32.00
2½"	NST (NH)	FC250F-C	17-126-00085	40.70
2½"	NST (NH)	RFC250F¹	17-126-00303	33.40
3"	NST (NH)	FC300F	17-126-00315	137.50
4"	NST (NH)	FC400F	17-126-00339	195.45
4½"	NST (NH)	FC450F	17-126-00350	195.45
6"	NST (NH)	FC600F	17-126-00364	294.40
¾"	NPSH	RFC075	17-126-00015	37.70
1"	NPSH	RFC100¹	17-126-01303	46.65
1½"	NPSH	FC150	17-126-00034	24.45
2½"	NPSH	FC250	17-126-00183	38.00
3"	NPSH	FC300	17-126-00312	144.45
6"	NPSH	FC600	17-126-00365	256.80

¹ rocker lug



rocker lug style

N

Fire
Equipment

Brass Plugs with Chain

- cast brass finish
- pin lug
- *NOT intended for pressure applications - for protection only*

SAFETY
ALERT

-C polished chrome plated

Size	Thread	Dixon Part #	Powhatan Part #	Price/E
1½"	NST (NH)	FP150F	17-127-00008	\$38.90
2½"	NST (NH)	FP250F	17-127-00147	55.40
2½"	NST (NH)	FP250F-C	17-127-00027	68.50
2½"	NST (NH)	RFP250F¹	17-127-00218	110.40
3"	NST (NH)	FP300F	17-127-00225	91.40
1½"	NPSH	FP150	17-127-00005	38.90
2½"	NPSH	FP250	17-127-00149	61.30

¹ rocker lug



pin lug style

Aluminum Caps with Chain

- extruded hardcoated aluminum
- rocker lug



Size	Thread	Part #	Price/E
1"	NPSH	AFC100	\$29.85
1½"	NPSH	AFC150	34.25
2"	NPSH	AFC200	42.25
1"	NST (NH)	AFC100F	29.85
1½"	NST (NH)	AFC150F	34.25
2"	NST (NH)	AFC200F	42.25
2½"	NST (NH)	AFC250F	52.70
3"	NST (NH)	AFC300F	80.45
4"	NST (NH)	AFC400F	141.40
4½"	NST (NH)	AFC450F	163.35
6"	NST (NH)	AFC600F	297.35
1½"	NPSH	F-AFC150 ¹	28.00
2½"	NPSH	F-AFC250 ¹	41.50
1½"	NST	F-AFC150F ¹	28.00
2½"	NST	F-AFC250F ¹	41.50

¹ forged aluminum

Aluminum Plugs with Chain

- extruded hardcoated aluminum
- rocker lug



Size	Thread	Part #	Price/E
1½"	NST (NH)	AFP150F	\$57.50
2½"	NST (NH)	AFP250F	79.00
3"	NST (NH)	AFP300F	83.15
4"	NST (NH)	AFP400F	154.45
4½"	NST (NH)	AFP450F	196.00
6"	NST (NH)	AFP600F	288.00

Not all sizes are stocked

Yellow Thermoplastic Hydrant Caps

- 1-1/8" pentagonal nut with weep hole
- with chain



polycarbonate hydrant cap
with chain

Thread NH (NST)	Part #	Price
4½"	PFCW450F-Y	\$45.25

- 1-1/8" pentagonal nut with weep hole



polycarbonate hydrant cap

Thread NH (NST)	Part #	Price
2½"	PFCW250F-Y	\$11.40
4"	PFCW400F-Y	15.85

Red Thermoplastic FDC Plug

- fits standard 2½" NST female swivel
- withstands wide range of temperatures from **-4°F to 200°F**
- 1-1/8" pentagonal nut with weep hole to allow for drainage
- removes from FDC with adjustable hydrant wrench
- patent pending



thermoplastic FDC plug

Thread NH (NST)	Part #	Price
2½"	PP250F	\$12.00

Thermoplastic Caps with Chain

Prevents entry of foreign material and protects male outlet threads on valves and hydrants.

- red finish
- **NOT** intended to be pressurized

SAFETY
ALERT

Size	Thread	Part #	Price/E
1½"	NST (NH)	PFCW150F	\$15.10
2½"	NST (NH)	PFCW250F	15.95
3"	NST (NH)	PFCW300F	29.70
1½"	NPSH	PFCW150	15.10
2"	NPSH	PFCW200	21.50



- red finish
- can be pressurized to **300 PSI**

Size	Thread	Part #	Price/E	Opt Qty
2½"	NST (NH)	PFC250F	\$39.00	25



Thermoplastic Breakable Cap

Prevents entry of foreign material and protects female threads on pin lug fire department inlet connections.

- molded red thermoplastic
- used on pin lug females

Size	Part #	Price/E	Opt Qty
2½"	PBC250	\$8.00	25



Thermoplastic Adjust-A-Plug

- molded red thermoplastic protective plug for swivel connections up to 2½"
- Two adjustable metal plates installed in back of the plug can be mated with your local thread.
- The plug can be easily removed with a fire department spanner wrench.

Part #	Price/E
PAP250	\$8.00



Universal Hose Cap

Universal push on - pull off cap protects threads by gripping the valve or outlet on the inside of the waterway.

- **NOT** intended to be pressurized

SAFETY
ALERT

Size	Part #	Price/E
2½"	PFC250U	\$19.00



Aluminum Breakable Cap

- for use on fire department inlet connections
- prevents entry of foreign matter and protects female threads
- breakable ears feature permits fast hose connection
- two eyebolts with nuts for attachment to female pin lug swivel
- painted red finish

Size	Part #	Price/E
2½"	ABC250	\$10.35



N
Fire
Equipment

Spanner and Hydrant Wrenches

Aluminum Universal Spanner Wrench



Part #	Price/E	Pkg Qty	Wt. (lbs)
USW	\$24.20	25	.62

- for 3/4" to 3" pin lug and rocker lug couplings
- includes gas cock shutoff, pry bar and belt hook eye
- overall length 11-7/8"

Universal Wrench



Part #	Price/E	Wt. (lbs)
233	\$43.20	1.16

- for pin lug or sensible (rocker) lug couplings 1" - 4½"
- a gas cock shutoff is provided in the handle
- iron, red epoxy painted
- overall length 11¾"

Aluminum Forestry Pocket Spanner Wrenches



Part #	Price/E	Wt. (lbs)
FSW1	\$38.40	.6
FSW2	38.40	.12

- **FSW1**: for use on 1" hoses only
- **FSW2**: for 1 and 1½" hose couplings
- meets USFDA specification 5100-101C
- overall length 5"

Hole Type Spanner Wrench



Part #	Price/E	Wt. (lbs)
HTSW	\$31.65	.20

- Rugged and dependable compact hole spanner designed for use on ¾" and 1" booster hose couplings.
- constructed of AL-MAG 35
- overall length is 7½"

Storz Adjustable Hydrant Wrench



Part #	Price/E	Wt. (lbs)
SAHW	\$185.35	6

- ductile iron head
- knurled chrome plated handle
- manganese bronze adjustable jaw

Storz Spanner Wrench



Part #	Price/E	Wt. (lbs)
SZW2	\$52.90	1

- for use on 4", 5" and 6" Storz couplings
- one-piece design
- constructed of AL-MAG 35

Folding Pocket Spanner Wrenches



Material	Part #	Price/E	Wt. (lbs)
aluminum	PSW	\$40.90	.30
brass	PSW-B	149.35	.72
die cast zinc	PSW-Z	41.35	.56
yellow plastic	PSW-Y	62.40	.27

- a compact wrench easily carried in your jacket pocket
- designed to fit ¾" to 3" sensible (rocker) lug and pin lug couplings

Spanner and Hydrant Wrenches

Adjustable Hydrant Wrench

- plated iron head and ½" plated steel handle
- for pentagon nuts up to 1¾"
- built-in spanner for pin or rocker lug couplings
- overall length 16¼"

Part #	Price/E	Pkg Qty	Wt. (lbs)
AHW	\$28.25	20	2.7



Pigtail Adjustable Hydrant Wrench

- double spanner head fits pin lug or rocker (sensible) lug couplings, pentagon nuts up to 1½" from point to flat, 1½" - 6" rocker lug caps, 2" - 4½" pin lug caps, and square nuts up to 1-1/8"

Part #	Price/E	Wt. (lbs)
AHWPT	\$69.25	4.5



Heavy Duty Adjustable Hydrant Wrench

- plated iron head, 7/8" plated steel handle
- for pentagon hydrant nuts up to 1¾" from point to flat
- notched to fit 1¼" square hydrant nut
- spanner for pin lug and sensible (rocker) lug couplings, 1½" thru 6"
- overall length 18"

Part #	Price/E	Pkg Qty	Wt. (lbs)
189	\$38.70	15	4.7



Double Head Adjustable Hydrant Wrench

- for pentagon hydrant nuts up to 1-7/8" and square heads up to 1½"
- designed to fit ¾" - 6" rocker lug or pin lug couplings, can also be used for long handle couplings
- ductile iron head with a deeply knurled chrome plated steel handle
- replaceable adjustable jaw is made of manganese bronze
- overall length 19½"

Part #	Price/E	Wt. (lbs)
189DH	\$86.25	5



5 Hole Hydrant Wrench

- 5 pentagon holes designed to fit common hydrant nut sizes
- built-in spanner for pin or rocker lug couplings
- plated iron
- overall length: 14¼"

Part #	Price/E	Pkg Qty	Wt. (lbs)
PHW	\$23.30	25	1.94



Grip-All Spanner Wrench

- lightweight aluminum, fits ¾" - 6" split lug, rocker lug and pin lug couplings
- can be operated in tight quarters
- A gas cock shutoff is provided in the handle. The handle is shaped to fit your hand allowing a positive grip on the coupling.

Part #	Price/E	Wt. (lbs)
GAW	\$66.30	.52



Long Handle Suction Spanner Wrench

- plated iron spanner for use on long handle, rocker lug, or pin lug couplings from 2½" - 6"
- open end slips over long handles for additional leverage while the claw fits rocker lugs or pin lugs, the other end can be used as a pry or crowbar
- inverted "T" body construction for lighter weight and improved strength
- can be used on Dixon's cam and groove pin lug or trapezoidal lug tank car adapters or 8" pin lug couplings
- overall length 18¾"

Part #	Price/E	Wt. (lbs)
LHW	\$360.85	3.25



Additional spanner wrenches on page 275



Brass Single Hydrant Gate Valves

- pin lug swivel, non-rising stem
- aluminum speed handle, **rubber seal**
- The hydrant gate valve is used to throttle the flow from a fire hydrant without damaging the hydrant itself.
- for use up to **175 PSI (water only)** at ambient temperature (70°F)

Female x Male	Part #	Price/E	Pkg Qty
2½" female NST (NH) x 2½" male NPSH	HGV250	\$419.35	4
2½" female NST (NH) x 2½" male NST (NH)	HGV250F	409.10	4
replacement handle	HGV250-H	18.00	1



Single Hydrant Gate Valve with Handwheel

The hydrant gate valve is used to throttle the flow from a fire hydrant without damaging the hydrant itself.

- O-ring seal
- for use on standpipes and fire pumps where UL listing is required
- Underwriters Listed
- for use up to **175 PSI (water only)** at ambient temperature (70°F)

female inlet x male outlet



Female NST (NH) Inlet	Male NST (NH) Outlet	Cast Red Brass Part #	Price/E	Wt. (lbs)
2½"	2½"	UHG250F	\$450.35	9

replacement parts

Description	Part #	Price/E	Wt. (lbs)
replacement handwheel	UHG250-W	\$23.00	.5



Single Hydrant Gate Valve

- pin lug swivel, non-rising stem
- red handwheel, **metal-metal seal**
- The hydrant gate valve is used to throttle the flow from a fire hydrant without damaging the hydrant itself.
- Underwriters Listed
- for use up to **300 PSI (water only)** at ambient temperature (70°F)



Female x Male	Part #	Price/E
2½" female NST (NH) x 2½" male NST (NH)	HGVW250F	\$613.00
replacement wheel	HGVW250-W	40.95

Aluminum Single Hydrant Gate Valve

- pin lug swivel, non-rising stem
- aluminum speed handle, **non-metallic seal**
- designed to protect fire hydrants from damage that can occur if used for throttling
- for use up to **175 PSI (water only)** at ambient temperature (70°F)



Female x Male	Aluminum Part #	Price/E
2½" female NST (NH) x 2½" male NST (NH)	AHGV250F	\$666.60
replacement handle	AHGV250F-H	65.00

Aluminum Global Single Hydrant Gate Valve

- pin lug swivel, non-rising stem
- aluminum speed handle
- designed to protect fire hydrants from damage that can occur if used for throttling
- for use up to **175 PSI (water only)** at ambient temperature (70°F)



Female x Male	Aluminum Part #	Price/E
2½" female NST (NH) x 2½" male NST (NH)	AHGV250F-I	\$394.30

Non-Rising Stem Wedge Disc Gate Valves

- cast brass
- solid wedge disc with tapered seats
- red iron handwheel, with cap and chain
- for use up to **300 PSI** working pressure at ambient temperature (70°F)
- 2½" Underwriters Listed and Factory Mutual approved

Female NPT Inlet	Male NST (NH) Outlet	U/L	Working Pressure at 70°F	Dixon Part #	Powhatan Part #	Price/E	Pkg Qty
1½"	1½"	No	300 PSI	WDGV150F	---	\$200.60	2
2½"	2½"	Yes	300 PSI	WDGV250F	19-281-50000	888.45	2

Note: *Not recommended for wet standpipe systems.* Use **AV250** on page 496 for wet standpipe systems.



WDGV250F



Non-rising Stem Wedge Disc Gate Valves

- forged brass, satin finish
- solid wedge disc with tapered seats
- straightway pattern
- red handwheel
- Underwriters Listed and Factory Mutual approved
- for use up to **300 PSI** working pressure at ambient temperature (70°F)
- for use on standpipes, fire pumps and hydrants

Female NPT Inlet	Male NST (NH) Outlet	U/L	Working Pressure at 70°F	Part #	Price/E
2½"	2½"	Yes	300 PSI	WDGV251F	\$481.30
3"	2½"	Yes	300 PSI	WDGV3025F	581.65



Rising Stem Wedge Disc Gate Valves

- cast brass
- solid wedge disc with tapered seats
- red iron handwheel, with cap and chain
- 2½" Underwriters Listed

Female NPT Inlet	Male NST (NH) Outlet	U/L	Working Pressure at 70°F	Dixon Part #	Powhatan Part #	Price/E	Pkg Qty
2½"	2½"	No	200 PSI	RWDGV250F	19-280-50000	\$857.90	2
3"	2½"	Yes	300 PSI	RWDGV3025F	19-280-50001	1000.00	2

Note: *Not recommended for wet standpipe systems.* Use **AV250** on page 496 for wet standpipe systems.





Backflow Preventer

Designed to give maximum protection against backflow caused by back-pressure or back-siphonage from a cross-connection wherein a contaminant hazard exists.

- consists of two spring-loaded poppet type check valves and a mechanically independent, hydraulically dependent pressure differential relief valve
- three top mounted test cocks ensure easy access during repair and maintenance
- supply pressures up to **175 PSIG** and water temperatures from **33°F** to **180°F**
- meets USC's FCCC and HR Manual, Sec. 10, ASSE 1015, AWWA C-510 and CSA B64.4 specifications
- Underwriters Listed and Factory Mutual approved



NPT	Working Pressure	Part #	Wt. (lbs)	Price/E
2"	175 PSI	BFP200	41	\$1501.80

Create a Fire Hydrant Backflow Preventer by using the **RSMSA25F20T** (page 510) and the **DMH2025F** (page 517).

Brass Straight Globe Valves



male outlet

- cast brass with aluminum handwheel
- ideal for wet and combination systems
- used with a fire hose rack assembly, or as a fire department outlet connection
- for use up to **300 PSI** at ambient temperature (70°F)

Female NPT Inlet	Male NST (NH) Outlet	Dixon Part #	Powhatan Part #	Price/E
1½"	1½"	SGV150F	18-217-00010	\$431.00
2½"	2½"	SGV250F	18-217-00083	610.55



female outlet

Female NPT Inlet	Female NPT Outlet	Dixon Part #	Powhatan Part #	Price/E
1½"	1½"	SGVF150	18-217-00104	\$431.00
2½"	2½"	SGVF250	18-217-00082	610.55

Wharf Hydrants

- brass, cast finish
- used to provide a fire department outlet connection
- pentagon nut at top of spindle
- discourages unauthorized use
- hydrostatically tested for **300 PSI** at ambient temperature (70°F)



Female NPT Inlet	Male NST (NH) Outlet	Height Open	Height Closed	Dixon Part #	Powhatan Part #	Price/E
3"	2½"	16.4"	14.25"	WHYD3025F	18-251-00008	\$878.85
4"	2½"	16.4"	14.25"	WHYD4025F	18-251-00015	993.65
4"	4½"	18.2"	15.6"	WHYD4045F	18-251-00017	1146.50

replacement part

Description	Part #	Price/E
handwheel	46-030-00025	\$19.00

Brass ¼ Turn Plug Type Wye Valves

- cast brass
- *not recommended for charged preconnected hose lines*
- for use up to **175 PSI** (*water only*) at ambient temperature (70°F)

SAFETY
ALERT

Female x Male	Dixon Part #	Powhatan Part #	Price/E	Pkg Qty
2½" female NST (NH) x 1½" male NST (NH)	S6175	06-175-00212	\$748.75	5
2½" female NST (NH) x 1½" male NPSH replacement handle	S6175S	06-175-00223	813.00	5
	S6175-H	43-184-00002	62.70	1

**Brass ¼ Turn Ball Type Wye Valve**

- cast finish
- rocker lug swivel
- handles are not field replaceable
- operates easily under high pressure
- NSN# 4210-00-255-0234
- for use up to **175 PSI** (*water only*) at ambient temperature (70°F)

Female x Male	Dixon Part #	Powhatan Part #	Price/E
2½" female NST (NH) x 1½" male NPSH	S7337S	07-337-00196	\$1084.00

**Brass Full Flow ¼ Turn Ball Type Hose Valves**

- cast brass
- recommended for charged preconnected hose lines
- for use up to **175 PSI** (*water only*) at ambient temperature (70°F)

Female x Male	Dixon Part #	Powhatan Part #	Price/E
1½" NST (NH) x 1½" NST (NH)	S7100-15	07-100-10003	\$500.00
2½" NST (NH) x 1½" NST (NH)	S7100	07-100-20003	285.00


N
 Fire
 Equipment
Leader Line Wye ¼ Turn Ball Type Hose Valve

- body painted red with chrome trim
- rocker lug swivel
- for use up to **400 PSI** (*water only*) at ambient temperature (70°F)

Female x Male	Part #	Price/E
2½" NST (NH) x 1½" NST (NH)	LLBV2515F	\$742.45



Straight Ball Drip Valves

This valve is designed to drain the low point of a system. It should be placed between the fire department connection and the swing check valve.



- will seal automatically under pressure
- install in the vertical position only
- working pressure: **175 PSI** at ambient temperature (70°F)

Male NPT	Male NPT	Part #	Wt. Lbs.	Price/E
1/2"	1/2"	SBDV50	.41	\$21.35
3/4"	3/4"	SBDV75	.47	27.35

Angled Ball Drip Valves

- will seal automatically under pressure
- installed horizontally, the ball seats at approximately 8-10 PSI



Male NPT	Male NPT	Dixon Part #	Powhatan Part #	Wt. Lbs.	Price/E
1/2"	1/2"	ASBDV50	23-181-00001	1.0	\$156.30
3/4"	3/4"	ASBDV75	23-181-00002	1.2	156.30

Chicago Pattern Valve

- cast brass with a round aluminum handwheel
- for use up to **175 PSI** at ambient temperature (70°F)



Male NPT Inlet	Male NST (NH) Outlet	Dixon Part #	Powhatan Part #	Price/E
1 1/2"	1 1/2"	CPV150F	18-180-00008	\$341.30

**New
for 2012**



Brass Male x Groove Adapter with Internal Lugs

- allows the conversion of a female NPT valve inlet to connect to groove piping

Male NPT	Groove Size	Length	Part #	Price/E
2 1/2"	2 1/2"	2-3/64"	VMIL250	\$42.00

Brass Female Swivel Adapters - Pin Lug

- cast brass finish

Female NST (NH) Thread	Female NPT Thread	Dixon Part #	Powhatan Part #	Price/E
1½"	1½"	SF150F	23-270-00431	\$89.00
2½"	1½"	SF25F15T	23-270-00436	218.70
2½"	2"	SF25F20T	23-270-00437	155.60
2½"	2½"	SF250F	23-270-00008	104.45
2½"	3"	SF25F30T	23-270-00036	162.75
3"	3"	SF300F	23-270-00225	284.00
4"	4"	SF400F	23-270-10000	624.45

Female NPSH Thread	Female NPT Thread	Dixon Part #	Powhatan Part #	Price/E
1½"	1½"	SF150S	23-270-00507	\$105.35
2½"	2½"	SF250S	23-270-00360	167.00

**Brass Female Swivel Adapters - Rocker Lug**

- cast brass finish

Female NST (NH) Thread	Female NPT Thread	Dixon Part #	Powhatan Part #	Price/E
1½"	1½"	RSF150F	23-270-00397	\$89.00
2½"	1½"	RSF25F15T	23-270-00592	247.80
2½"	2"	RSF25F20T	23-270-00371	155.60
2½"	2½"	RSF250F	23-270-00352	144.90

**Aluminum Female Swivel Adapters - Rocker Lug**

- aluminum hardcoat finish

Female NST (NH) Thread	Female NPT Thread	Part #	Price/E
1½"	1½"	ASF150F	\$61.70
2½"	2"	ASF25F20T	142.15
2½"	2½"	ASF250F	154.45
2½"	3"	ASF25F30T	164.95
2½"	4"	ASF25F40T	218.20
4"	4"	ASF40F40T	387.90
4½"	4"	ASF45F40T	412.15
6"	6"	ASF60F60T	725.35



N
Fire
Equipment

Brass Female Swivel Suction Adapter with Screen - Rocker Lug

- cast brass finish
- suction intake with strainer screen

Female NST (NH) Thread	Female NPT Thread	Part #	Price/E
2½"	1½"	RSFSA25F15T	\$350.20
2½"	2"	RSFSA25F20T	350.20
2½"	2½"	RSFSA250F	335.40
2½"	3"	RSFSA25F30T	386.90



Brass Male Swivel Adapters - Pin Lug

- cast brass finish



Female NST (NH) Thread	Male NPT Thread	Dixon Part #	Powhatan Part #	Wt. Lbs.	Price/E
1½"	1½"	SM150F	09-215-00277	1.0	\$70.00
2½"	1½"	SM25F15T	09-215-00367	2.4	154.75
2½"	2"	SM25F20T	09-215-00140	2.5	146.00
2½"	2½"	SM250F	09-215-00279	2.8	88.75
2½"	3"	SM25F30T	09-215-00110	3.0	174.30
4"	4"	SM400F	09-215-10000	9.0	557.50
Female NH (NST) Thread	Male NH (NST) Thread	Dixon Part #	Powhatan Part #	Wt. Lbs.	Price/E
2½"	3"	SM25F30F	09-215-00255	3.0	\$271.10
Female NPSH Thread	Male NPT Thread	Dixon Part #	Powhatan Part #	Wt. Lbs.	Price/E
1½"	1½"	SM150S	09-215-00368	.1	\$90.55
2½"	2½"	SM250S	09-215-00059	3.0	105.00
Female NPSH Thread	Male NST (NH) Thread	Dixon Part #	Powhatan Part #	Wt. Lbs.	Price/E
1½"	1½"	SM15S15F	09-215-00399	1.0	\$161.25

Brass Male Swivel Adapters - Rocker Lug

- cast brass finish



Female NST (NH) Thread	Male NPT Thread	Dixon Part #	Powhatan Part #	Price/E
1½"	1½"	RSM150F	09-215-00382	\$90.55
2½"	2"	RSM25F20T	09-215-00294	146.00
2½"	2½"	RSM250F	09-215-00306	105.00
2½"	3"	RSM25F30T	09-215-00290	174.30

Aluminum Male Swivel Adapters - Rocker Lug

- aluminum hardcoat finish



Female NST (NH) Thread	Male NPT Thread	Dixon Part #	Price/E
1½"	1½"	ASM150F	\$70.80
2½"	2"	ASM25F20T	127.90
2½"	2½"	ASM250F	148.40
2½"	3"	ASM25F30T	200.05
4"	4"	ASM40F40T	401.25
4½"	4"	ASM45F40T	445.00
6"	6"	ASM60F60T	575.00

Brass Male Swivel Suction Adapter with Screen - Rocker Lug

- cast brass finish
- suction intake with strainer screen



Female NST (NH) Thread	Male NPT Thread	Dixon Part #	Price/E
2½"	1½"	RSMSA25F15T	\$322.20
2½"	2"	RSMSA25F20T	337.20
2½"	2½"	RSMSA250F	340.80
2½"	3"	RSMSA25F30T	382.60

Brass Double Female Swivels - Pin Lug

- cast brass finish

Female NPSH Thread	Female NPSH Thread	Dixon Part #	Powhatan Part #	Price/E
1½"	1½"	DFP1515	09-115-00023	\$83.70
2½"	2½"	DFP2525	09-115-00110	185.10
Female NST (NH) Thread	Female NST (NH) Thread	Dixon Part #	Powhatan Part #	Price/E
1½"	1½"	DFP1515F	09-115-00020	\$78.50
2½"	2½"	DFP2525F	09-115-00093	166.60
Female NST (NH) Thread	Female NPSH Thread	Dixon Part #	Powhatan Part #	Price/E
1½"	1½"	DFP15F15S	09-115-00295	\$83.70
2½"	2½"	DFP25F25S	09-115-00321	185.10

**Brass Double Female Swivels - Rocker Lug**

- cast brass finish

Female NPSH Thread	Female NPSH Thread	Dixon Part #	Powhatan Part #	Price/E
1½"	1½"	DFR1515	09-115-00036	\$83.70
2½"	2½"	DFR2525	09-115-00335	177.70
Female NST (NH) Thread	Female NST (NH) Thread	Dixon Part #	Powhatan Part #	Price/E
1½"	1½"	DFR1515F	09-115-00033	\$83.70
2½"	2½"	DFR2525F	09-115-00104	177.70

**Aluminum Double Female Swivels - Rocker Lug**

- aluminum hardcoat

Female NPSH Thread	Female NPSH Thread	Part #	Price/E
1"	1"	ADFR1010S	\$53.30
1½"	1½"	ADFR1515	60.65
2½"	2½"	ADFR2525	105.25
Female NST (NH) Thread	Female NST (NH) Thread	Part #	Price/E
1½"	1½"	ADFR1515F	\$60.65
1½"	2½"	ADFR1525F	90.00
2½"	2½"	ADFR2525F	105.25
Female NST (NH) Thread	Female NPSH Thread	Part #	Price/E
1½"	1½"	ADFR15F15S	\$60.65
2½"	2½"	ADFR25F25S	105.25

- forged aluminum

Female NH (NST) Thread	Female NH (NST) Thread	Part #	Price/E
1½"	1½"	F-ADFR1515F	\$44.75
2½"	2½"	F-ADFR2525F	91.00
Female NPSH Thread	Female NPSH Thread	Part #	Price/E
1½"	1½"	F-ADFR1515	\$44.75
2½"	2½"	F-ADFR2525	91.00



Brass Hydrant Adapters - Pin Lug



reducer



same size



increaser

Female NST (NH)Thread	Male GHT Thread	Dixon Part #	Powhatan Part #	Price/E
1½"	¾"	HA1576	09-130-00084	\$20.00
2½"	¾"	HA2576	09-130-00263	29.35

Female NPSH Thread	Male NST (NH)Thread	Dixon Part #	Powhatan Part #	Price/E
1½"	1½"	HA15S15F	09-140-00562	\$32.50
2"	1½"	HA20S15F	09-130-02495	72.90
2"	2½"	HA20S25F	09-356-00213	80.10
2½"	1½"	HA25S15F	09-130-00306	34.75
2½"	2½"	HA25S25F	09-140-00618	72.85
3"	2½"	HA30S25F	09-130-02368	74.15

Female NST (NH)Thread	Male NPSH Thread	Dixon Part #	Powhatan Part #	Price/E
1½"	1"	HA1510	09-130-00095	\$43.25
1½"	1½"	HA1515	09-130-00053	40.75
2½"	1"	HA2510	09-130-00283	32.35
2½"	1½"	HA2515	09-130-00298	29.70
2½"	2"	HA2520	09-130-00380	46.15
2½"	2½"	HA2525	09-140-00268	69.85
2½"	3"	HA2530	09-356-00226	108.00

Female NPSH Thread	Male NPT Thread	Dixon Part #	Powhatan Part #	Price/E
1½"	1"	HA15S10T	09-130-01648	\$79.35
1½"	1½"	HA15S15T	09-140-01020	32.50
2½"	1"	HA25S10T	09-130-01848	32.35
3"	2½"	HA30S25T	09-130-02500	187.30

Female NST (NH)Thread	Male NST (NH)Thread	Dixon Part #	Powhatan Part #	Price/E
1½"	1"	HA1510F	09-130-00096	\$40.75
1½"	1½"	HA1515F	09-140-00696	40.75
1½"	2½"	HA1525F	09-356-00045	119.15
2"	2½"	HA2025F	09-335-00224	124.90
2½"	1"	HA2510F	09-130-01394	32.35
2½"	1½"	HA2515F	09-130-00297	29.70
2½"	2"	HA2520F	09-130-00382	46.15
2½"	2½"	HA2525F	09-140-00676	69.85
2½"	3"	HA2530F	09-356-00272	108.00
3"	1½"	HA3015F	09-130-01024	167.50
3"	2½"	HA3025F	09-130-00562	72.00
4"	2½"	HA4025F	09-149-00524	212.50
4½"	2½"	HA4525F	09-149-00519	253.80

Female NPSH Thread	Male GHT Thread	Dixon Part #	Powhatan Part #	Price/E
1½"	¾"	HA15S76	09-130-00086	\$23.70

Female NPT Thread	Male NST (NH)Thread	Dixon Part #	Powhatan Part #	Price/E
1½"	1½"	HA15T15F	09-140-00668	\$32.50
2"	2½"	HA20T25F	09-356-00223	80.10

- other styles and sizes are also available
- not all configurations are stocked
- consult the factory for pricing and availability

Female NST (NH)Thread	Male NPT Thread	Dixon Part #	Powhatan Part #	Price/E
1½"	¾"	HA1575T	09-130-00083	\$32.50
1½"	1"	HA1510T	09-130-01385	40.75
1½"	1½"	HA1515T	09-140-00748	40.75
2½"	¾"	HA2575T	09-130-00262	29.35
2½"	1"	HA2510T	09-130-01057	29.70
2½"	1½"	HA2515T	09-130-00299	29.70
2½"	2"	HA2520T	09-130-00381	29.05
2½"	2½"	HA2525T	09-140-00267	69.85
2½"	3"	HA2530T	09-356-00331	108.00

Crowder Supply Co., Inc. • 8495 Roslyn St., Commerce City, CO 80022 • Toll Free: 888-883-5144 • www.CrowderSupply.com



Fire Equipment

Brass Hydrant Adapters - Rocker Lug



reducer



same size



increaser

Female NST (NH)Thread	Male GHT Thread	Dixon Part #	Powhatan Part #	Price/E
1½"	¾"	RHA1576	09-130-00786	\$71.70
2½"	¾"	RHA2576	09-130-00809	34.75

Female NPSH Thread	Male NPSH Thread	Dixon Part #	Powhatan Part #	Price/E
1½"	1"	RHA15S10	09-130-00796	\$47.50
2½"	1½"	RHA25S15	09-130-00825	35.50

Female NST (NH)Thread	Male NPSH Thread	Dixon Part #	Powhatan Part #	Price/E
1½"	1"	RHA1510	09-130-00791	\$46.60
1½"	1½"	RHA1515	09-140-00077	55.80
1½"	2"	RHA1520	09-356-00443	110.00
2½"	1"	RHA2510	09-130-00919	49.15
2½"	1½"	RHA2515	09-130-00819	35.50

Female NPSH Thread	Male NST (NH)Thread	Dixon Part #	Powhatan Part #	Price/E
1½"	1½"	RHA15S15F	09-140-00066	\$55.00
2½"	1½"	RHA25S15F	09-130-00827	35.50
2½"	2½"	RHA25S25F	09-140-00348	130.00

Female NST (NH)Thread	Male NST (NH)Thread	Dixon Part #	Powhatan Part #	Price/E
1½"	1"	RHA1510F	09-130-01686	\$46.60
1½"	1½"	RHA1515F	09-140-00721	55.80
1½"	2½"	RHA1525F	09-356-00220	72.35
2"	2½"	RHA2025F	09-356-00267	122.60
2½"	1"	RHA2510F	09-130-01113	49.15
2½"	1½"	RHA2515F	09-130-00817	35.50
2½"	1½"	RHA2515F-C	09-130-00769	41.65
2½"	2"	RHA2520F	09-130-01211	129.00

Female NPSH Thread	Male NPT Thread	Dixon Part #	Powhatan Part #	Price/E
1½"	1"	RHA15S10T	09-130-02412	\$47.50
1½"	1½"	RHA15S15T	09-140-01661	113.00

Female NPT Thread	Male NST (NH)Thread	Dixon Part #	Powhatan Part #	Price/E
1½"	1½"	RHA15T15F	09-140-00809	\$55.00
2½"	2½"	RHA25T25F	09-140-00798	130.00

Female NST (NH)Thread	Male NPT Thread	Dixon Part #	Powhatan Part #	Price/E
1½"	1"	RHA1510T	09-130-00793	46.60
1½"	1½"	RHA1515T	09-140-00584	55.80
2½"	1"	RHA2510T	09-130-01697	49.15
2½"	1½"	RHA2515T	09-130-01126	75.85
2½"	2"	RHA2520T	09-130-00867	51.25
2½"	2½"	RHA2525T	09-140-00952	130.00
2½"	3"	RHA2530T	09-356-00339	159.80

- -C chrome finish
- other styles and sizes are also available
- not all configurations are stocked
- consult the factory for pricing and availability

N
Fire
Equipment

Polycarbonate Hydrant Adapters

- use with water
- **100 PSI** maximum working pressure

Female Thread	Male Thread	Part #	Weight	Price/E
1½" NPSH	1½" MNST	POLYHA15S15F	.12	\$15.10
2½" NST	¾" GHT	POLYHA2576	.20	17.75
2½" FNST	1½" MNPSH	POLYHA2515	.22	22.00
2½" FNST	1½" MNST	POLYHA2515F	.22	22.00
2½" FNST	2" MNPT	POLYHA2520T	.24	17.75



News

News

Aluminum Hydrant Adapters - Rocker Lug



- extruded aluminum

Female NST (NH)Thread	Male GHT Thread	Hardcoated	
		Part #	Price/E
1"	¾"	AHA1076	\$36.25
1½"	¾"	AHA1576	42.65
2½"	¾"	AHA2576	94.20

Female NST (NH)Thread	Male NPT Thread	Hardcoated	
		Part #	Price/E
1½"	1½"	AHA1515T	\$40.25
2½"	1½"	AHA2515T	57.70
2½"	2"	AHA2520T	77.70
2½"	2½"	AHA2525T	72.65
3"	3"	AHA3030T	156.65
4"	4"	AHA4040T	254.50
4½"	4"	AHA4540T	298.85
5"	5"	AHA5050T	452.50
6"	6"	AHA6060T	520.75

Female NST (NH)Thread	Male NPSH Thread	Part #	Price/E
1"	1"	AHA1010S	\$39.25
1½"	1"	AHA1510	48.75
1½"	1½"	AHA1515	40.25
2½"	2½"	AHA2525	72.65

Female NST (NH)Thread	Male NST (NH)Thread	Part #	Price/E
1"	1½"	AHA1015F	\$53.75
1½"	1"	AHA1510F	48.75
2½"	1½"	AHA2515F	57.70
2½"	2½"	AHA2525F	72.65
3"	2½"	AHA3025F	101.50

Female GHT Thread	Male NPSH Thread	Part #	Price/E
¾"	1"	AHA7610S	\$53.75

Female GHT Thread	Male NST (NH)Thread	Part #	Price/E
¾"	1"	AHA7610F	\$53.75

Female NPSH Thread	Male NPSH Thread	Part #	Price/E
1"	¾" GHT	AHA10S76	\$36.25
1"	1½"	AHA10S15	54.60

Female NPSH Thread	Male NST (NH)Thread	Part #	Price/E
1"	1"	AHA10S10F	\$40.55
1"	1½"	AHA10S15F	53.75
1½"	1½"	AHA15S15F	40.25
2"	1½"	AHA20S15F	57.40
2½"	2½"	AHA25S25F	72.65
3"	2½"	AHA30S25F	101.50

- other styles and sizes are also available
- not all configurations are stocked
- consult the factory for pricing and availability

**New
for 2012**

Forged Aluminum Hydrant Adapters



Female NH (NST) Thread	Male Thread	Forged Aluminum Part #	Price/E
2½"	1½" NST	F-AHA2515F	\$40.00
2½"	1½" NPT	F-AHA2515T	40.00

Long Handle Short Shank Females

- for suction and low pressure discharge only
- powder coated aluminum long handle swivel nut

Hose Shank	Swivel Nut NST (NH)	Part #	Price/E
4"	4"	LHFS400F	\$148.50
4"	4½"	LHFS4045F	244.55



female NST swivel nut x hose shank

Cam and Groove Hydrant Adapters

- Pin lugs allow for easy connection using standard spanner and hydrant wrenches (pages 497 and 498).
- supplied with a Buna-N washer in the threaded end

Female NST Thread	Male Adapter	Brass		Aluminum	
		Part #	Price/E	Part #	Price/E
1½"	1½"	HA1515ADP	\$75.50	AHA1515ADP	\$40.25
2½"	2½"	HA2525ADP	83.30	AHA2525ADP	50.00



female NST x male adapter

Replacement Washers

- Buna-N

ID	OD	Thickness	Part #	Price/E
1-9/16"	2-1/16"	1/8"	SW150	\$2.00
2-9/16"	3-3/16"	3/16"	SW250	3.15

Brass Double Female Hex Couplings

- cast finish

Female Thread	Female Thread	Dixon Part #	Powhatan Part #	Price/E
1½" NPT	1½" NST (NH)	FFH1515F	14-156-00053	\$26.20
2½" NPT	2½" NST (NH)	FFH2525F	14-156-00100	55.70
1½" NST (NH)	1½" NST	FFH15F15F	14-156-00059	27.50
2½" NST (NH)	2½" NST	FFH25F25F	14-156-00098	58.00



female x female

N
Fire
Equipment

Brass Single Male Outlet with Hex

Used to connect fire hose to a standpipe or sprinkler system.

- cast brass
- other sizes and threads are also available, consult the factory for pricing and availability
- not all configurations are stocked

-P polished

-C polished chrome plated

Female NPT	Male NH (NST)	Dixon Part #	Powhatan Part #	Price/E
2½"	2½"	MOC250F-P	23-272-00003	\$149.85
	2½"	MOC250F-C	23-272-00006	161.90
3"	2½"	MOC3025F-P	23-272-00023	204.55
	2½"	MOC3025F-C	23-272-00043	219.70



Brass Female to Male Hex Nipples



reducer



same size



increaser

Female NPT Thread	Male NPSH Thread	Dixon Part #	Powhatan Part #	Price/E
1"	¾" GHT	FM1076	---	\$19.35
1"	1"	FM1010	14-155-00076	35.50
1½"	1½"	FM1515	14-155-00174	20.00
2"	2"	FM2020	14-155-00281	90.00
2½"	2½"	FM2525	14-155-00363	61.30

Female NPSH Thread	Male NPT Thread	Dixon Part #	Powhatan Part #	Price/E
¾" GHT	1"	FM7610T	---	\$50.20
1"	¾" GHT	FM10S76	14-155-00067	22.70
1½"	1½"	FM15S15T	14-155-00175	22.15
2½"	2½"	FM25S25T	14-155-00366	60.30

Female NPT Thread	Male NST (NH) Thread	Dixon Part #	Powhatan Part #	Price/E
1"	1"	FM1010F	14-155-00080	\$32.50
1"	1½"	FM1015F	15-216-00046	40.50
1½"	1½"	FM1515F	14-155-00177	20.00
1½"	2½"	FM1525F	15-216-00090	65.75
2"	1½"	FM2015F	14-155-00265	27.30
2"	2½"	FM2025F	15-216-00192	79.00
2½"	2½"	FM2525F	14-155-00359	51.10
3"	2½"	FM3025F	14-155-00501	83.50
3"	3"	FM3030F	14-155-00516	140.40
4"	2½"	FM4025F	14-155-00675	354.45
4"	4"	FM4040F	14-155-00540	355.70
4"	4½"	FM4045F	15-216-00172	265.55
6"	6"	FM6060F	14-155-00711	600.00

Female NPSH Thread	Male NST (NH) Thread	Dixon Part #	Powhatan Part #	Price/E
1½"	1½"	FM15S15F	14-155-00180	\$22.15
2"	1½"	FM20S15F	14-155-00267	62.50
2"	2½"	FM20S25F	15-216-00106	88.40
2½"	2½"	FM25S25F	14-155-00362	60.30
3"	2½"	FM30S25F	14-155-00500	195.30

Female NPSH Thread	Male NPSH Thread	Dixon Part #	Powhatan Part #	Price/E
2"	1½"	FM20S15	14-155-00264	\$62.50

Female NST (NH) Thread	Male NPT Thread	Dixon Part #	Powhatan Part #	Price/E
1"	1"	FM10F10T	14-155-00084	\$32.50
1½"	1½"	FM15F15T	14-155-00199	17.00
1½"	2"	FM15F20T	15-216-00081	36.40
1½"	2½"	FM15F25T	15-216-00098	62.25
2½"	¾"	FM25F75T	14-155-00319	140.30
2½"	1"	FM25F10T	14-155-00324	134.00
2½"	1½"	FM25F15T	14-155-00328	77.70
2½"	2"	FM25F20T	14-155-00345	50.50
2½"	2½"	FM25F25T	14-155-00392	49.25
2½"	3"	FM25F30T	15-216-00134	87.15
3"	2½"	FM30F25T	14-155-00867	95.95
3"	3"	FM30F30T	14-155-00519	140.40
4"	4"	FM40F40T	14-155-00545	279.00
4½"	4"	FM45F40T	14-155-00561	441.00
6"	6"	FM60F60T	14-155-00995	600.00

Female NPT Thread	Male NPT Thread	Dixon Part #	Powhatan Part #	Price/E
3"	2½"	FM3025T	14-155-00502	\$95.95

Female NST (NH) Thread	Male NPSH Thread	Dixon Part #	Powhatan Part #	Price/E
1½"	1½"	FM15F15S	14-155-00198	\$25.25
2½"	2½"	FM25F25S	14-155-00395	140.30

Female NST (NH) Thread	Male NST (NH) Thread	Dixon Part #	Powhatan Part #	Price/E
1½"	1½"	FM15F15F	14-155-00197	\$25.25
1½"	2½"	FM15F25F	15-216-00097	62.25
1½"	3"	FM15F30F	15-216-00200	119.00
2½"	1½"	FM25F15F	14-155-00329	77.70
2½"	2½"	FM25F25F	14-155-00396	60.30
2½"	3"	FM25F30F	15-216-00216	87.15
3"	2½"	FM30F25F	14-155-00508	95.95



Brass Double Male Hex Nipples

- cast brass
- other configurations are also available, consult the factory for pricing and availability

Male NPT Thread	Male NPSH Thread	Dixon Part #	Powhatan Part #	Price/E
1"	¾" GHT	DMH1076	---	\$11.95
1"	1"	DMH1010	14-146-00042	12.10
1"	1½"	DMH1015	14-146-00092	63.45
1½"	1"	DMH1510	14-146-00093	75.25
1½"	1½"	DMH1515	14-146-00110	20.10
1½"	2"	DMH1520	14-146-00155	61.15
2"	1½"	DMH2015	14-146-00153	46.00
2"	2"	DMH2020	14-146-00167	43.35
2"	2½"	DMH2025	14-146-00204	63.25
2½"	2"	DMH2520	14-146-00206	110.00
2½"	2½"	DMH2525	14-146-00226	52.05
2½"	3"	DMH2530	14-146-00295	180.05
3"	2½"	DMH3025	14-146-00290	99.00
3"	3"	DMH3030	14-146-00312	137.15
4"	4"	DMH4040	14-146-00337	220.35



reducer

Male NST (NH) Thread	Male NST (NH) Thread	Dixon Part #	Powhatan Part #	Price/E
1½"	1½"	DMH15F15F	14-146-00132	\$23.15
1½"	2½"	DMH15F25F	14-146-00188	63.00
2½"	2½"	DMH25F25F	14-146-00259	50.85
2½"	3"	DMH25F30F	14-146-00305	180.05



same size

Male NST (NH) Thread	Male NPSH Thread	Dixon Part #	Powhatan Part #	Price/E
1½"	1½"	DMH15F15S	14-146-00118	\$23.15

Male NPT Thread	Male NST (NH) Thread	Dixon Part #	Powhatan Part #	Price/E
¾"	1½"	DMH7515F	14-146-00088	\$61.50
1"	1"	DMH1010F	14-146-01084	12.10
1"	1½"	DMH1015F	14-146-00090	63.45
1"	2½"	DMH1025F	14-146-00437	135.95
1½"	1"	DMH1510F	14-146-00097	75.25
1½"	1½"	DMH1515F	14-146-00115	18.40
1½"	2½"	DMH1525F	14-146-00187	63.00
2"	1½"	DMH2015F	14-146-00157	35.75
2"	2"	DMH2020F	14-146-00171	103.15
2"	2½"	DMH2025F	14-146-00367	49.10
2½"	1½"	DMH2515F	14-146-00192	85.25
2½"	2½"	DMH2525F	14-146-00221	52.05
2½"	3"	DMH2530F	14-146-00304	180.05
3"	2½"	DMH3025F	14-146-00294	99.00
3"	3"	DMH3030F	14-146-00313	137.15
4"	4"	DMH4040F	14-146-00339	208.75
4"	4½"	DMH4045F	14-146-00354	235.45
5"	5"	DMH5050F	14-146-00363	545.95
6"	4½"	DMH6045F	14-146-00364	425.50
6"	6"	DMH6060F	14-146-00431	459.50



increaser

Male NPT Thread	Male NPT Thread	Dixon Part #	Powhatan Part #	Price/E
1½"	1½"	DMH15T15T	14-146-00113	\$23.15
2½"	3"	DMH25T30T	14-146-00291	180.05

Brass Double Males - Pin Lug

- cast brass finish

Male NPSH Thread	Male NPSH Thread	Dixon Part #	Powhatan Part #	Price/E
1½"	1½"	DMP1515	09-114-00075	\$81.40
2½"	2½"	DMP2525	09-114-00133	147.35
Male NST (NH) Thread	Male NST (NH) Thread	Dixon Part #	Powhatan Part #	Price/E
1½"	1½"	DMP1515F	09-114-00035	\$81.40
2½"	2½"	DMP2525F	09-114-00125	147.35
Male NST (NH) Thread	Male NPSH Thread	Dixon Part #	Powhatan Part #	Price/E
2½"	2½"	DMP25F25S	09-114-00128	\$147.35
Male NST (NH) Thread	Male NPT Thread	Dixon Part #	Powhatan Part #	Price/E
1½"	1½"	DMP15F15T	09-114-00041	\$81.40
2½"	2½"	DMP25F25T	09-114-00435	147.35

**Brass Double Males - Rocker Lug**

- cast brass finish

Male NST (NH) Thread	Male NST (NH) Thread	Dixon Part #	Powhatan Part #	Price/E
1½"	1½"	DMR1515F	09-114-00060	\$60.45
2½"	2½"	DMR2525F	09-114-00153	155.10
Male NST (NH) Thread	Male NPT Thread	Dixon Part #	Powhatan Part #	Price/E
1½"	1½"	DMR15F15T	09-114-00543	\$60.45
Male NPSH Thread	Male NPSH Thread	Dixon Part #	Powhatan Part #	Price/E
1½"	1½"	DMR1515	09-114-00432	\$60.45
2½"	2½"	DMR2525	09-114-00505	155.10

**Aluminum Double Males - Rocker Lug**

- hard coated aluminum

Male NST (NH) Thread	Male NST (NH) Thread	Part #	Price/E
1½"	1½"	ADMR15F15F	\$34.25
2½"	2½"	ADMR25F25F	51.25
Male NPSH Thread	Male NPSH Thread	Part #	Price/E
1"	1"	ADMR10S10S	\$33.25
Male NPT Thread	Male NST (NH) Thread	Part #	Price/E
1½"	1½"	ADMR1515F	\$34.25
2½"	2½"	ADMR2525F	51.25
3"	2½"	ADMR3025F	101.25
6"	6"	ADMR6060F	378.25



- Other styles and sizes are also available
- Not all configurations are stocked
- Consult the factory for pricing and availability

Thermoplastic Constant Flow Fog Nozzles

- red polycarbonate body with rubber bumper, black plastic and steel stem
- shutoff - straight stream - fog
- provides consistent volume at any spray angle
- 1" and 1½" are Underwriters Listed Canada
- for use up to **100 PSI** (*water only*) at ambient temperature (70°F)
- replacement gaskets available below

Size	Thread	90° Spray GPM @ 100 PSI	Part #	Price/E
¾"	GHT	8	CFB75GHT ⁴	\$31.75
1"	SIPT (NPSH)	22	CFB100S	31.75
1½"	SIPT (NPSH)	75	CFB150S ¹	27.25
1½"	SIPT (NPSH)	150	HGCFB150S ²	98.20
2"	SIPT (NPSH)	75	CFB2015S ^{1,4}	62.00
2"	SIPT (NPSH)	150	CFB200S ^{2,4}	87.00
1"	NST (NH)	22	CFB100NST	31.75
1½"	NST (NH)	75	CFB150NST ¹	27.25
1½"	NST (NH)	150	HGCFB150NST ²	98.20
2½"	NST (NH)	150	CFB250NST ^{3,4}	176.50
2½"	NST (NH)	215	HGCFB250NST ^{2,4}	225.25



2½" provided with handles on CFB250NST



1" through 2"

¹ standard flow

² high flow

³ provided with handles

⁴ not U/L listed

Blue Thermoplastic Refinery Fog Nozzles

- blue nylon glass-filled body with rubber bumper and black plastic and steel stem
- resistant to petrochemicals
- shutoff - straight stream - fog
- provides consistent volume at any spray angle
- for use up to **100 PSI** (*water only*) at ambient temperature (70°F)
- replacement gaskets available below

Size	Thread	GPM @ 100 PSI	Part #	Price/E
1½"	SIPT	75	RNB150S	\$34.50
1½"	NST (NH)	75	RNB150NST	34.50



N
Fire
Equipment

Gaskets

- for use in Constant Flow Fog Nozzles and Refinery Fog Nozzles above
- *all dimensions are nominal*

Size	Thread Type	Dimensions			Buna -N	
		ID	OD	Thickness	Part #	Price/E
1"	SIPT (NPSH)	.900"	1.270"	.125"	CFG100S	\$2.60
1½"	SIPT (NPSH)	1.510"	1.878"	.125"	CFG150S	2.65
2"	SIPT (NPSH)	1.680"	2.340"	.156"	CFG200S	2.80
1"	NST (NH)	.900"	1.270"	.125"	CFG100NST	2.60
1½"	NST (NH)	1.510"	1.906"	.125"	CFG150NST	2.65
2½"	NST (NH)	2.250"	3.000"	.187"	CFG250NST	2.95



Thermoplastic Fog Nozzles



3/4"



1" - 1 1/2"

- red polycarbonate body with brass stem
 - adjusts from straight stream to fog
 - for use up to **100 PSI** (*water only*) at ambient temperature (70°F)
- ** 3/4" GHT discharge @ 100 PSI:**
 solid stream 20 GPM
 45° spray 25.1 GPM
 120° spray 30.9 GPM

Size	Thread	90° spray GPM @ 100 PSI	Part # with Bumper	Price/E	Part # without Bumper	Price/E
3/4"	GHT	**	FNB75GHT	\$40.80	---	---
3/4"	NPS	30.9	FNB75S	40.80	---	---
1"	NPS	11.4	FNB100S	47.10	FN100S	\$48.35
1"	NPS	30.9	HGB100S	63.25	---	---
1 1/2"	NPS	83.6	FNB150S	45.35	FN150S	38.10
1"	NST (NH)	11.4	FNB100NST	47.10	FN100NST	48.35
1"	NST (NH)	30.9	HGB100NST	63.25	---	---
1 1/2"	NST (NH)	83.6	FNB150NST	45.35	FN150NST	38.10

Thermoplastic Fog Nozzles



- brass stem and locking nut
- adjusts from straight stream to fog
- wings on sleeve for ease of adjustment
- for use up to **100 PSI** (*water only*) at ambient temperature (70°F)
- SL series nozzles are Factory Mutual approved.



FM approved
Domestic

Global

Size	Thread	90° spray GPM @ 100 PSI	Polycarbonate body		Polycarbonate body	
			Part # with Bumper	Price/E	Part # with Bumper	Price/E
3/4"	NPSH	30.9 ¹	SL075	\$49.15	---	---
3/4"	GHT	30.9 ¹	SL075GHT	49.15	---	---
1"	NPSH	30.9 ¹	SL100	52.40	PFNB100S	\$20.05
1 1/2"	NPSH	75	SL150	70.45	PFNB150S	28.50
1 1/2"	NST (NH)	75	SL150NST	70.45	PFNB150NST	28.50

¹ 120° spray on 3/4" and 1"

Thermoplastic Fog Nozzles for Electrical Fires

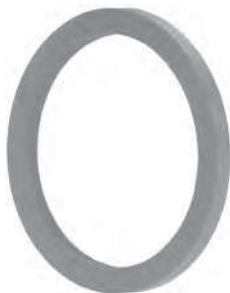


- *no straight stream*
- opens and closes in a 30° fog pattern - up to 120°

Size	Thread	GPM @ 100 PSI	Part # with Bumper	Price/E
1 1/2"	NPS	75	FNBE150S	\$44.10
1 1/2"	NST (NH)	75	FNBE150NST	44.10

Gaskets for Thermoplastic Nozzles

- *all dimensions are nominal*



Size	Thread Type	Dimensions			Buna-N	
		ID	OD	Thickness	Part #	Price/E
1"	NPS	.937"	1.234"	.125"	FNG100S	\$4.25
1"	NPS	1.000"	1.375"	.125"	HGG100S	4.50
1 1/2"	NPS	1.500"	1.828"	.125"	FNG150S	3.20
1"	NST (NH)	.937"	1.281"	.125"	FNG100NST	4.25
1"	NST (NH)	1.000"	1.375"	.125"	HGG100NST	4.50
1 1/2"	NST (NH)	1.500"	1.906"	.125"	FNG150NST	3.20

Brass Industrial Fog Nozzles

- shut off - straight stream - fog
- delivers 30° - 60° - 90° fog pattern
- supplied with bumper
- Underwriters Listed and Factory Mutual approved for Class A and B fires (except noted sizes)
- for use up to **100 PSI** (*water only*) at ambient temperature (70°F)

Size	Thread	90° Spray GPM @ 100 PSI	Dixon Part #	Powhatan Part #	Price/E
3/4"	GHT	---	BFN75GHT ¹	02-464-00001	\$186.30
3/4"	NPSH	---	BFN75	02-464-00005	186.30
1"	NPSH	36	BFN100	02-464-00013	221.80
1 1/2"	NPSH	85	BFN150	02-464-00021	144.75
2"	NPSH	108	BFN200 ¹	02-200-00003	334.35
1"	NST (NH)	36	BFN100NST	02-464-00009	221.80
1 1/2"	NST (NH)	85	BFN150NST	02-464-00017	144.75
2 1/2"	NST (NH)	205	BFN250NST ¹	02-464-00033	309.00

¹ not Factory Mutual approved**Brass Electrical All-Fog Nozzle**

SAFETY Nozzle should be used in excess of 10 ft. from electrical apparatus and circuits not involving more than 250,000 volts.

- *no straight stream*
- from shut off to 30° fog, adjustable thru 90° fog
- supplied with bumper
- Underwriters Listed for Class C fires and Factory Mutual approved
- for use up to **100 PSI** (*water only*) at ambient temperature (70°F)

Size	Thread	90° Spray GPM @ 100 PSI	Dixon Part #	Powhatan Part #	Price/E
1 1/2"	NST (NH)	90	BFNE150NST	02-463-00001	\$234.30

**Brass Heavy Duty Industrial Fog Nozzles**

- shut off - straight stream - fog
- delivers 30° - 60° - 90° fog pattern
- supplied with bumper
- Underwriters Listed and Factory Mutual approved
- for use up to **100 PSI** (*water only*) at ambient temperature (70°F)

Size	Thread	90° Spray GPM @ 100 PSI	Dixon Part #	Powhatan Part #	Price/E
1"	NPSH	---	HFN100	02-250-00008	\$212.40
1 1/2"	NPSH	88 (+/-12)	HFN150	02-250-00019	179.00
1"	NST (NH)	---	HFN100NST	02-250-00012	212.40
1 1/2"	NST (NH)	88 (+/-12)	HFN150NST	02-250-00022	179.00

N
Fire
Equipment**Brass Industrial Washdown Nozzles**

- shut off - straight stream - fog
- delivers 30° - 60° - 90° fog pattern
- supplied with bumper
- for use up to **100 PSI** (*water only*) at ambient temperature (70°F)

Size	Thread	90° Spray GPM @ 100 PSI	Part #	Price/E
1 1/2"	NPSH	88 (+/-12)	WDN150	\$74.25
1 1/2"	NST (NH)	88 (+/-12)	WDN150NST	74.25



**Brass Higher Pressure Industrial Fog Nozzles**

- shut off - straight stream - fog
- large one-piece rubber bumper with molded teeth
- knurled base
- Factory Mutual approved
- operating pressure from **25 PSI to 300 PSI** (*water only*) at ambient temperature (70°F)

Size	Thread	90° Spray GPM @ 100 PSI	Dixon Part #	Powhatan Part #	Price/E
1½"	NPSH	117	HPFN150	02-425-00003	\$224.40
1½"	NST (NH)	117	HPFN150NST	02-425-00001	224.40

**Brass Rack Nozzle**

- shut off - straight stream - fog
- delivers 30° - 60° - 90° fog pattern
- supplied without bumper
- Underwriters Listed for Class A and B fires
- Factory Mutual approved
- for use up to **100 PSI** (*water only*) at ambient temperature (70°F)

Size	Thread	90° Spray GPM @ 100 PSI	Part #	Price/E
1½"	NST (NH)	80	BRN150NST	\$152.60

**Global Rack Nozzle**

- shutoff - straight stream - fog
- delivers 30° - 60° - 90° fog pattern
- supplied without bumper
- Underwriters Listed for Class A and B fires
- Factory Mutual approved
- for use up to **100 PSI** (*water only*) at ambient temperature (70°F)

Size	Thread	90° Spray GPM @ 100 PSI	Brass Part #	Price/E
1½"	NST (NH)	80	BRN150NST-I	\$86.40

Brass Plain Hose Nozzles

- brass with satin finish
- operating pressure up to **100 PSI** (*water only*) at ambient temperature (70°F)

Size	Thread	Length	Orifice	Dixon Part #	Powhatan Part #	Price/E
¾"	GHT	6"	1/4"	BN6	03-107-00005	\$41.75
¾"	NPSH	6"	1/4"	BN7	03-107-00001	41.75
1"	NPSH	8"	5/16"	BN10	03-107-00010	48.40
1¼"	NPSH	10"	3/8"	BN12	03-107-00026	73.00
1½"	NPSH	10"	1/2"	BN15	03-107-00049	59.40
2"	NPSH	12"	9/16"	BN20	03-107-00154	106.40
2½"	NPSH	12"	1"	BN25	03-107-00172	153.10
1"	NST (NH)	8"	5/16"	BN10F	03-107-00015	48.40
1½"	NST (NH)	10"	1/2"	BN15F	03-107-00053	59.40
2½"	NST (NH)	12"	1"	BN25F	03-107-00169	153.10

U.S. Coast Guard Approved AFFF/Water Fog Nozzles

Nozzles designed for maximum efficiency with AFFF (Aqueous Film Forming Foams) or water on shipboard, offshore rigs and industrial applications.

- corrosion resistant brass construction
- rubber-like bumper and handle for added protection
- Zytel® (nylon) horseshoe handle
- flush without shutting down
- combination fog and straight stream
- constant gallonage in all fog and straight stream pattern
- double row of molded teeth for excellent fog pattern
- operating pressure up to **100 PSI** (water and AFFF only) at ambient temperature (70°F)



CGSN150F



CGSN151F

Size	Thread	Description	Fog Flow @ 100 PSI	Orifice	Length	Weight	Approval #	Part #	Price/E
1½"	NST(NH)	nozzle	95 GPM	5/8"	10¼"	9 lbs.	162.027/13/0	CGSN150F	\$1654.70
1½"	NST(NH)	nozzle w/pistol grip	95 GPM	15/16"	11½"	14.5 lbs.	162.027/11/0	CGSN151F	1814.40

U.S. Coast Guard Approved Fog Nozzles

- designed to U.S. Coast Guard specification for fighting fires with drafted water
- required equipment for all commercial vessels under U.S. registry
- corrosion resistant brass construction
- combination fog and straight stream for shipboard fire fighting
- operating pressure up to **100 PSI** (water only) at ambient temperature (70°F)

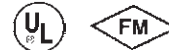


Size	Thread	Fog Flow @100 PSI	Approval #	Part #	Price/E
1½"	NST(NH)	55 GPM	162.027/9/0	CGN150NST	\$1714.90
2½"	NST(NH)	108 GPM	162.027/10/0	CGN250NST	2016.00

Applicators are available on special order. Consult the factory for pricing and availability.

Size	Description	Part #	Price/E
1½"	replacement tip	CGN150-TIP	\$347.80
2½"	replacement tip	CGN250-TIP	410.00

U/L Play Pipe with Tip



A component often required in hydrant houses by Insurance Underwriters.

- swivel handle, red marlin trim
- for use up to **100 PSI** (water only) at ambient temperature (70°F)
- Underwriters Listed and Factory Mutual approved
- ULT male thread specification: 2-3/16" ODM x 12 TPI

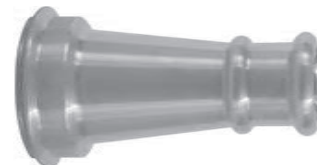
Size	Female Inlet	Male Outlet	Orifice	Part #	Price/E
2½"	NST (NH)	ULT	1-1/8"	UPP250F	\$718.35



Tip for U/L Play Pipe

- satin finish
- for use up to **100 PSI** (water only) at ambient temperature (70°F)
- ULT male thread specification: 2-3/16" ODM x 12 TPI

Thread	Orifice	Cast Brass	
		Part #	Price/E
ULT	1-1/8"	UPPT	\$78.25
ULT	1-1/4"	UPPT125	116.00
ULT	1-1/2"	UPPT150	116.00
ULT	1-3/4"	UPPT175	136.95



Aluminum Ball Shut-Off Nozzle - Bolted Style



- lightweight cast aluminum body with pistol grip
- hardcoated female swivel inlet and male outlet
- maximum operating pressure to **200 PSI** (*water only*) at ambient temperature (70°F)

Inlet Thread	Outlet Thread	Waterway	Part #	Price/E
1½" female NST (NH)	1½" male NST (NH)	1-3/8"	ACPSO150F	\$350.65

Aluminum Tips for Ball Shut-Off Nozzles

- lightweight anodized aluminum construction
- for use up to **200 PSI** (*water only*) at ambient temperature (70°F)



Size	Thread	Orifice ¹	Length	Part #	Price/E
1"	NST (NH)	½"	4"	ANT100F	\$235.00
1½"	NST (NH)	½"	4¾"	ANT150F	235.00

¹ other orifice sizes available

Brass Ball Shut-Off Nozzles



- Full time swivel base ensures the durable rubber-like handle is positioned for easy operation.
- for use up to **100 PSI** (*water only*) at ambient temperature (70°F)

Base Thread	Tip Thread	Waterway	Length	Part #	Price/E
1½" NST (NH)	1½" NST (NH)	1-3/8"	4¾"	BSO150NST	\$1025.30
Zytel® replacement handle				BSO150-H	75.25

Brass Nozzle Tips

- for use up to **100 PSI** (*water only*) at ambient temperature (70°F)



Size	Thread	GPM @ 100 PSI	Orifice	Length	Dixon Part #	Powhatan Part #	Price/E
1"	NST (NH)	74	½"	4-3/4"	BNT100F	01-128-00036	\$154.15
1½"	NST (NH)	74	½"	4-3/8"	BNT150F	01-128-00094	181.15

Brass Street Cleaning Nozzles

- nozzle delivers a flat, centered spray pattern for flushing or street cleaning apparatus
- length: 6¾", width: 8½"
- for use up to **100 PSI** (*water only*)
- flows 300 GPM @ 100 PSI



Thread	Direction	Brass Part #	Wt. in Lbs.	Price/E
2½" NPSH	center	BFSCN250C	8.5	\$1266.55
2½" NPSH	left	BFSCN250L	8.5	1266.55
2½" NPSH	right	BFSCN250R	8.5	1266.55

Omega™ Monitor 

- brass construction
- cast-in turning vanes for a more efficient flow
- 4 bolt hole pattern on flange
- 360° horizontal and 150° vertical travel
- friction loss: 10 PSI at 800 GPM (.7 bar at 3030 LPM)
- Factory Mutual approved
- other configurations available



Size	Inlet Configuration	Outlet	Waterway	Flow	Weight	Part #	Price/E
17" x 11½"	3" flange	2½" male NST	3"	1250 GPM	72 lbs.	AK3526-300FL	\$5503.70

Monitor Nozzle 

Aquastream™ Master Stream, a fixed gallonage master stream designed for heavy-duty use on fixed monitors. Factory set at 500 GPM (1900 LPM) - can be changed in the field to 300 or 700 GPM (1140 or 2660 LPM).

- brass construction
- fixed teeth
- swivel nut
- Factory Mutual approved
- operating pressure: **100 PSI** (*water only*) at ambient temperature (70°F)



Size	Thread	Length	Weight	Part #	Price/E
2½"	NST	7"	14.5 lbs.	AK4450NST	\$1927.80

Steel FirePro™ Monitor 

- carbon steel construction
- stainless steel discharge tip and ball bearings
- red epoxy finish standard
- 150# ASA raised face 4" flange
- 360° horizontal and 140° vertical travel
- seamless 2½" monitor - rated at 750 GPM
- Factory Mutual approved



Size	Inlet Configuration	Outlet	Waterway	Flow	Weight	Part #	Price/E
22" x 13"	4" flange	2½" male NST	2½"	750 GPM	50 lbs.	FP475S	\$3146.00

Master Stream Nozzles 

- factory set at 500 GPM
- a straight stream to fog 'quick throw' pattern change
- constant gallonage
- Factory Mutual approved



Size	Thread	Material	Weight	Part #	Price/E
2½"	NST	brass	19 lbs.	FP500B	\$1717.20
2½"	NST	aluminum	---	FP500A	1409.80

Storz Fittings

- designed for applications where a non-valved, locking coupling is required
- machined from forged 6061 - T6 aluminum
- hardcoat anodized components per MIL-A-8625 Type III Class 1
- Buna-N gaskets
- working pressure: **150 PSI**
- stainless steel lock lever assembly on 4", 5" and 6"

Storz x Rigid Female

- pressure seal is shipped standard



Storz x Rigid Female	Part #	Price/E
4" x 2½" NST	SZSF4025F	\$300.00
5" x 2½" NST	SZSF5025F	422.00
5" x 4½" NST	SZSF5045F	464.25
4" x 4" NPT	SZF4040T	376.75
5" x 4" NPT	SZF5040T	453.35
5" x 5" NPT	SZF5050T	477.25
5" x 6" NPT	SZF5060T	518.30

Storz x Female Swivel



Storz x Female Swivel	Part #	Price/E
4" x 2½" NST	SZSF4025F	\$370.20
4" x 4" NST	SZSF4040F	486.40
4" x 4½" NST	SZSF4045F	500.50
5" x 2½" NST	SZSF5025F	416.75
5" x 4" NST	SZSF5040F	506.80
5" x 4½" NST	SZSF5045F	482.90

Continuous Storz Swivel x Rigid Female NPT

- pressure seal is shipped standard



Continuous Storz Swivel x Rigid Female NPT	Part #	Price/E
4" x 3" NPT	SZCSF4030T	\$592.25
5" x 4" NPT	SZCSF5040T	750.45
6" x 6" NPT	SZCSF6060T	904.00

Storz Fittings

Storz x Rigid Male NPT

- pressure seal is shipped standard

Storz x Rigid Male	Part #	Price/E
2½" x 2½" NST	SZM2525F	\$186.40
4" x 2½" NST	SZM4025F	303.00
5" x 2½" NST	SZM5025F	381.10
5" x 4½" NST	SZM5045F	427.30
5" x 4" NPT	SZM5040T	420.90
6" x 6" NPT	SZM6060T	597.05



Storz Dust Cap with Cable

- suction seal is shipped standard
- supplied with chain/cable



Storz Cap	Part #	Price/E
1½"	SZC150	\$106.40
3"	SZC300	151.15
4"	SZC400	183.75
5"	SZC500	257.25
6"	SZC600	416.25



Storz Gaskets

- Buna-N
- gasket faces should be kept free of sand, grit, etc. and lubricated with O-ring grease or silicone

SAFETY
ALERT

The pressure seals have a flat face ; while the suction seals have a beaded face 

Storz Size	Application	Part #	Price/E
4"	pressure	SZG400P	\$23.10
4"	suction	SZG400S	45.00
5"	pressure	SZG500P	28.75
5"	suction	SZG500S	50.85
6"	pressure / suction	SZG600P	106.20

N
Fire
Equipment

British Instantaneous Fittings

- polished finish
- meets BS336 specifications

Adapters**British Instantaneous female x female threads**

Size		Brass Part #	Wt.	Price/E
Female	Male			
2½" FBRIT	2½" FNST	BID250F	3 lbs. 10 ozs.	\$105.20
2½" FBRIT	2½" FNPSH	BID250S		105.20
2½" FBRIT	2½" FNPT	BID250T		105.20
2½" FBRIT	2½" FBSP	BID250B		105.20

British Instantaneous female x male threads

Size		Brass Part #	Wt.	Price/E
Female	Male			
2½" FBRIT	2½" MNST	BIB250F	3 lbs. 5 ozs.	\$102.35
2½" FBRIT	2½" MNPSH	BIB250S		102.35
2½" FBRIT	2½" MNPT	BIB250T		102.35
2½" FBRIT	2½" MBSP	BIB250B		102.35

British Instantaneous male x female threads

Size		Brass Part #	Wt.	Price/E
Male	Female			
2½" MBRIT	2½" FNST	BIA250F	2 lbs. 9 ozs.	\$95.10
2½" MBRIT	2½" FNPSH	BIA250S		95.10
2½" MBRIT	2½" FNPT	BIA250T		95.10
2½" MBRIT	2½" FBSP	BIA250B		95.10

British Instantaneous male x male threads

Size		Brass Part #	Wt.	Price/E
Male	Male			
2½" MBRIT	2½" MNST	BIF250F	2 lbs. 5 ozs.	\$95.10
2½" MBRIT	2½" MNPSH	BIF250S		95.10
2½" MBRIT	2½" MNPT	BIF250T		95.10
2½" MBRIT	2½" MBSP	BIF250B		95.10

Plug

Size	Brass Part #	Wt.	Price/E
2½"	BIDP250	1 lb. 13 ozs.	\$50.25

Cap

Size	Brass Part #	Wt.	Price/E
2½"	BIDC250	3 lbs. 8 ozs.	\$97.20

Hose Shanks

Size	Brass Part #	Wt.	Price/E
2½" MBI x 1½" hose shank	BIE150	2 lbs. 11 ozs.	\$114.50
2½" FBI x 1½" hose shank	BIC150	3 lbs. 12 ozs.	119.50

BIE150

BIC150

Forestry Non Weeping Fire Hose

Outer construction:
single jacket, all polyester

Tube construction:
thermoplastic

Impregnation: yellow

Consult the factory for pricing and availability for any of the following features:

- 25' lengths
- other threads and configurations

Proof pressure: **600 PSI** *
Service test pressure: **300 PSI** *
Working pressure: **270 PSI** *
* at ambient temperature (70°F)



Coupled with female and male expansion ring couplings

Size	Length	Part #	Rocker Lug Aluminum NST (NH) RAF	Rocker Lug Aluminum NPSH RAS
1"	50'	NF610Y50	---	\$290.00
1"	100'	NF610Y100	---	430.00
1½"	50'	NF615Y50	\$310.00	310.00
1½"	100'	NF615Y100	490.00	490.00

Forestry Mop Up Hose

Forest fire applications include mop-up, low volume hand lines, filling pump cans, supplying sprinklers and remote fire line protection. 50' coil diameter is 9".

Outer construction:
single jacket, synthetic

Tube construction:
thermoplastic

Impregnation: yellow

Consult the factory for pricing and availability for any of the following features:

- other threads and configurations

Proof pressure: **300 PSI** *
Service test pressure: **150 PSI** *
Working pressure: **135 PSI** *
* at ambient temperature (70°F)



Coupled with female and male brass ferrule type garden hose couplings

Size	Length	Part #	Price/E
¾"	50'	NF307Y50GHT	\$161.20

N
Fire
Equipment

¼ Turn Forestry Adapters

- forged aluminum
- maximum working pressure **300 PSI** at ambient temperature (70°F)
- adapters have a common quarter turn sexless head (a 1½" QT fitting will mate with a ¾" QT or 1" QT)
- replacement gaskets: **QTG-F \$0.00**



male



female

Thread	Male Part #	Price/E	Female Part #	Price/E
¾" GHT	QTM75GHT-F	\$55.75	QTF75GHT-F	\$65.45
1" NPS	QTM100S-F	54.30	QTF100S-F	67.15
1" NPT	QTM100T-F	54.30	QTF100T-F	67.15
1½" NST (NH)	QTM150F-F	51.90	QTF150F-F	66.45
1½" NPT	QTM150T-F	51.90	QTF150T-F	66.45



Thermoplastic Ball Shut-Off Nozzles

- lightweight
- glass reinforced plastic
- black pistol grip handle
- for use up to **150 PSI** (*water or AFFF only*) at ambient temperature (70°F)

Size	Thread	Part #	Price/E
1½"	SIPT	PPSO150S	\$381.85
1½"	NST (NH)	PPSO150F	381.85

Thermoplastic Ball Shut-Off Nozzles



- lightweight
- glass reinforced plastic
- black pistol grip handle
- yellow nozzle tip can be detached to allow for installation of foam inductor
- for use up to **150 PSI** (*water or AFFF only*) at ambient temperature (70°F)

Size	Thread	GPM	Part #	Price/E
1½"	SIPT	30	FNPSO150S-30	\$403.10
1½"	NST (NH)	30	FNPSO150F-30	403.10
1½"	SIPT	70	FNPSO150S-70	403.10
1½"	NST (NH)	70	FNPSO150F-70	403.10

Thermoplastic Plain Hose Nozzles



- thermoplastic
- red finish
- for use up to **100 PSI** (*water only*) at ambient temperature (70°F)

Size	Thread	Length	Orifice	Part #	Price/E
1½"	NPS	10"	½"	PN15	\$18.00
1½"	NST (NH)	10"	½"	PN15F	18.00

Thermoplastic Penetrator Nozzle

The black and yellow penetrator nozzle is designed with standard 1½" NPSH male hose threads that are converted to female thread for connection to the hose using a double female rigid connector. It is specifically designed with a ¼" discharge orifice, which generates a high velocity water jet that is effective against deep seated wildland fires.

- for use up to **200 PSI** (*water only*) at ambient temperature (70°F)



Size	Thread	Length	Orifice	Part #	Price/E
1½"	NST (NH)	5½"	¼"	PFN4005F	\$41.05

Twin Tip Straight Stream Forestry Nozzles



- molded high strength red polycarbonate
- The solid, one-piece reversible twin tip has ¼" and 3/8" orifices.
- for use up to **100 PSI** (*water only*) at ambient temperature (70°F)

Size	Thread	Length with tip	Length without tip	Orifice of base nozzle	Part #	Price/E
1½"	NPSH	9"	7½"	½"	PTTF150S	\$29.70
1½"	NST (NH)	9"	7½"	½"	PTTF150F	29.70

Forestry Grade Aluminum Ball Shut-Off Nozzles

- NFPA1964 compliant
- cast anodized aluminum body, hardcoated threads, and acetal ball, rigid inlet
- working pressure up to **600 PSI** at ambient temperature (70°F)
- FSS specification 5100-238

Size	Thread	Waterway	Part #	Price/E
1"	NPSH	¾"	FBSO100S	\$318.00
1½"	NPSH	1"	FBSO150S	324.45
1"	NST (NH)	¾"	FBSO100F	318.00
1½"	NST (NH)	1"	FBSO150F	324.45



Forestry Grade Aluminum Ball Shut-Off Nozzle with Pistol Grip

- NFPA1964 compliant
- cast anodized aluminum body, hardcoated threads, and acetal ball, full time live swivel inlet
- working pressure up to **600 PSI** at ambient temperature (70°F)
- FSS specification 5100-238

Size	Thread	Waterway	Part #	Price/E
1"	NPSH	¾"	FBSO100S-PG	\$460.35
1½"	NPSH	1"	FBSO150S-PG	486.15
1"	NST (NH)	¾"	FBSO100F-PG	460.35
1½"	NST (NH)	1"	FBSO150F-PG	486.15



Aluminum Tip for Ball Shut-Off Nozzles

- lightweight anodized aluminum construction
- for use up to **200 PSI** (*water only*) at ambient temperature (70°F)

Size	Thread	Orifice ¹	Length	Tip Part #	Price/E
1"	NPSH	½"	4"	ANT100	\$235.00
1½"	NPSH	½"	4¾"	ANT150	235.00
1"	NST (NH)	½"	4"	ANT100F	235.00
1½"	NST (NH)	½"	4¾"	ANT150F	235.00

¹ other orifice sizes available



NPSH



NST

Aluminum Fog Nozzles



- constructed of anodized aluminum
- without bumper
- adjustable fog or straight stream
- color: black
- weight: 12 oz.
- Federal Supply Schedule certified 5100-2396

Size	Thread	60° Spray GPM @ 100 PSI at 70°F	Part #	Price/E
1½"	NPS	52	AFN150	\$299.40
1½"	NST (NH)	52	AFN150NST	299.40

Forestry Fog Nozzles

- 6061-T6 aluminum, corrosion resistant plated
- maroon hardcoated barrel allows for easy identification
- offers two straight stream and two fog patterns
- combination fog and straight stream
- dual flow rate nozzles
- operating pressure up to **600 PSI** (water only)



FFN75GHT



FFN100



FFN150NST

Size	Thread	Dual Flow Rates		NSN	Forestry Service Specification	Part #	Price/E
		1st Straight Stream GPM @ 100 PSI at 70°F	2nd Straight Stream GPM @ 100 PSI at 70°F				
¾"	GHT	1-2 ¹	3-4 ¹	---	---	FFN75GHT	\$186.00
1"	NPSH	12	25	4210-01-165-6603	5100-239A	FFN100	190.00
1½"	NPSH	25	70	---	5100-107A	FFN150	294.60
1"	NST (NH)	12	25	---	5100-239A	FFN100NST	207.50
1½"	NST (NH)	25	70	4210-01-167-1123	5100-107A	FFN150NST	294.60

¹ GPM rating @ 40 PSI at 70°F

Aluminum ¼ Turn Ball Type Wye Valves - Forestry Grade

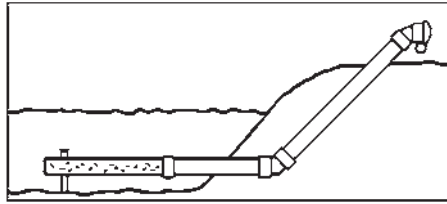


- cast aluminum, anodized body, hardcoated threads
- swivel inlet
- suitable for use with water and Aqueous Film Forming Foam
- built to United States Forest Service specifications

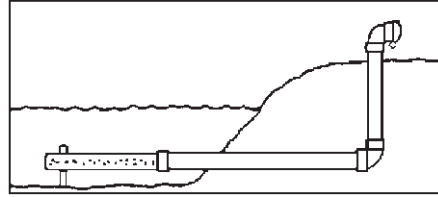
Female x Male	PSI at 70°F	Part #	Price/E
1" NPSH x 1" NPSH	600	FWV10S10S	\$565.60
1½" NST (NH) x 1" NPSH	600	FWV15F10S	686.80
1½" NST (NH) x 1½" NST (NH)	600	FWV15F15F	626.95
2½" NST (NH) x 1½" NST (NH)	400	FWV25F15F	698.70
2½" NST (NH) x 2½" NST (NH)	400	FWV25F25F	1540.55

Dry Hydrants

Typical Dry Hydrant Installations



45°
(preferred)



90°

Underwater Strainer Support

Description	Hardcoated Aluminum	
	Part #	Price/E
underwater strainer support	DHSSC6	\$81.25



Back Flushing Strainers

• length: 37"

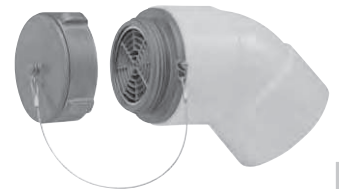
Size	Schedule 40 PVC pipe	
	Part #	Price/E
6"	DHS6BF	\$451.30
8"	DHS8BF¹	1025.35



¹ includes 8" x 6" reducer

Male Adapters and Caps

Male NST (NH)	90° Male Adapters		45° Male Adapters	
	Hardcoated Aluminum		Hardcoated Aluminum	
	Part #	Price/E	Part #	Price/E
4½"	ADH90M45F	\$437.40	ADH45M45F	\$437.40
6"	ADH90M60F	460.55	ADH45M60F	460.55



Rocker Lug Cap with Cable

Female NST (NH)	Hardcoated Aluminum	
	Part #	Price/E
4½"	ADHC450F	\$127.45
6"	ADHC600F	135.20

adapters and caps sold separately

N
Fire
Equipment

Female Adapters and Plugs

Female NST (NH)	90° Female Adapters		45° Female Adapters	
	Hardcoated Aluminum		Hardcoated Aluminum	
	Part #	Price/E	Part #	Price/E
4½"	ADH90F45F	\$568.90	ADH45F45F	\$575.35
6"	ADH90F60F	589.60	ADH45F60F	601.25



adapters and plugs sold separately

Rocker Lug Plug with Cable

Male NST (NH)	Hardcoated Aluminum	
	Part #	Price/E
4½"	ADHP450F	\$229.70
6"	ADHP600F	315.50