

40 Nm

3.2 / 1.2

RIF.		ISD E		DATE 20/10/20		REV. 1	
TEHMA SA		NAME SP600-2					

8 7 6 5 4 3 2 1

F

F

E

E

D

D

C

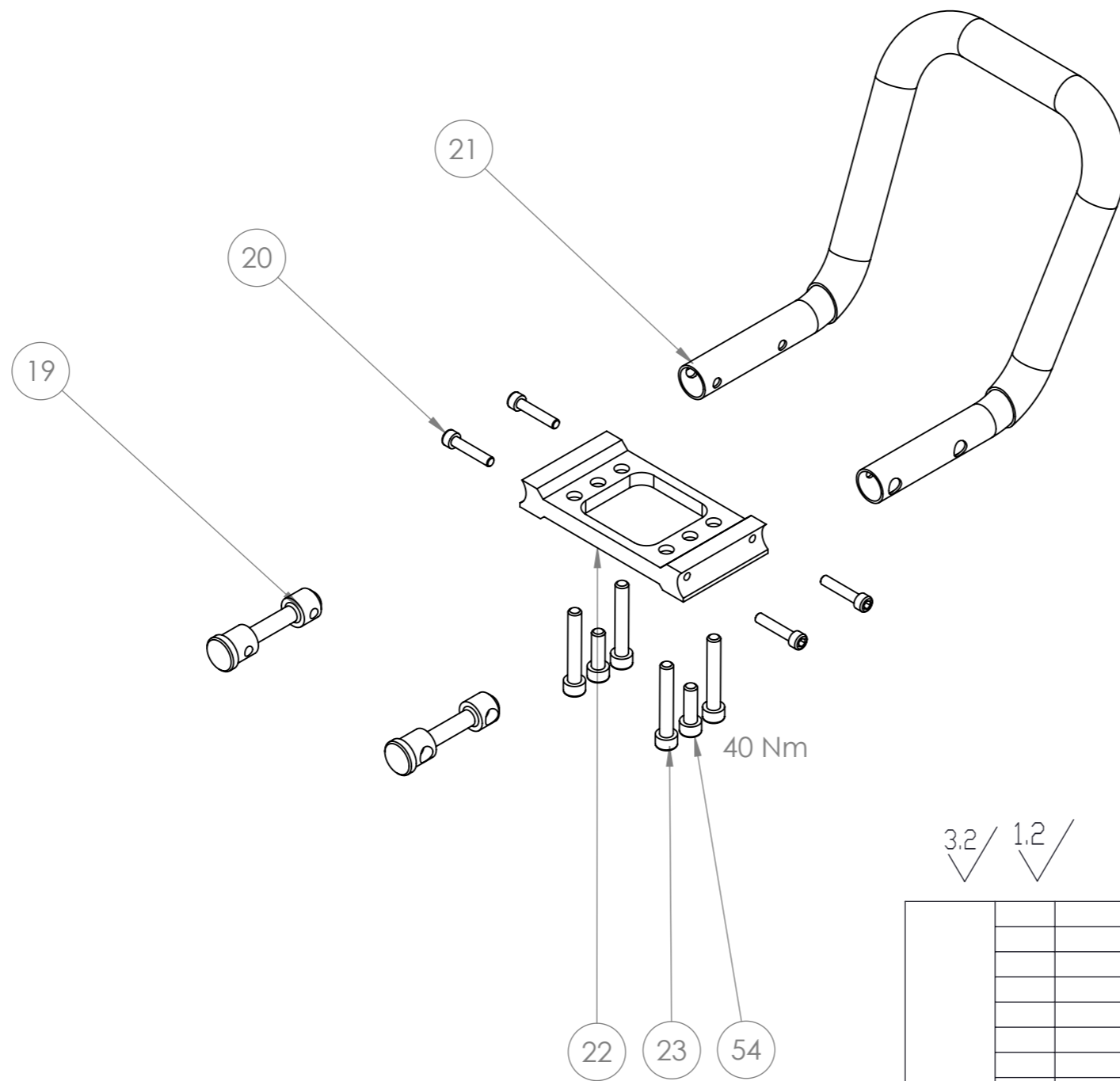
C

B

B

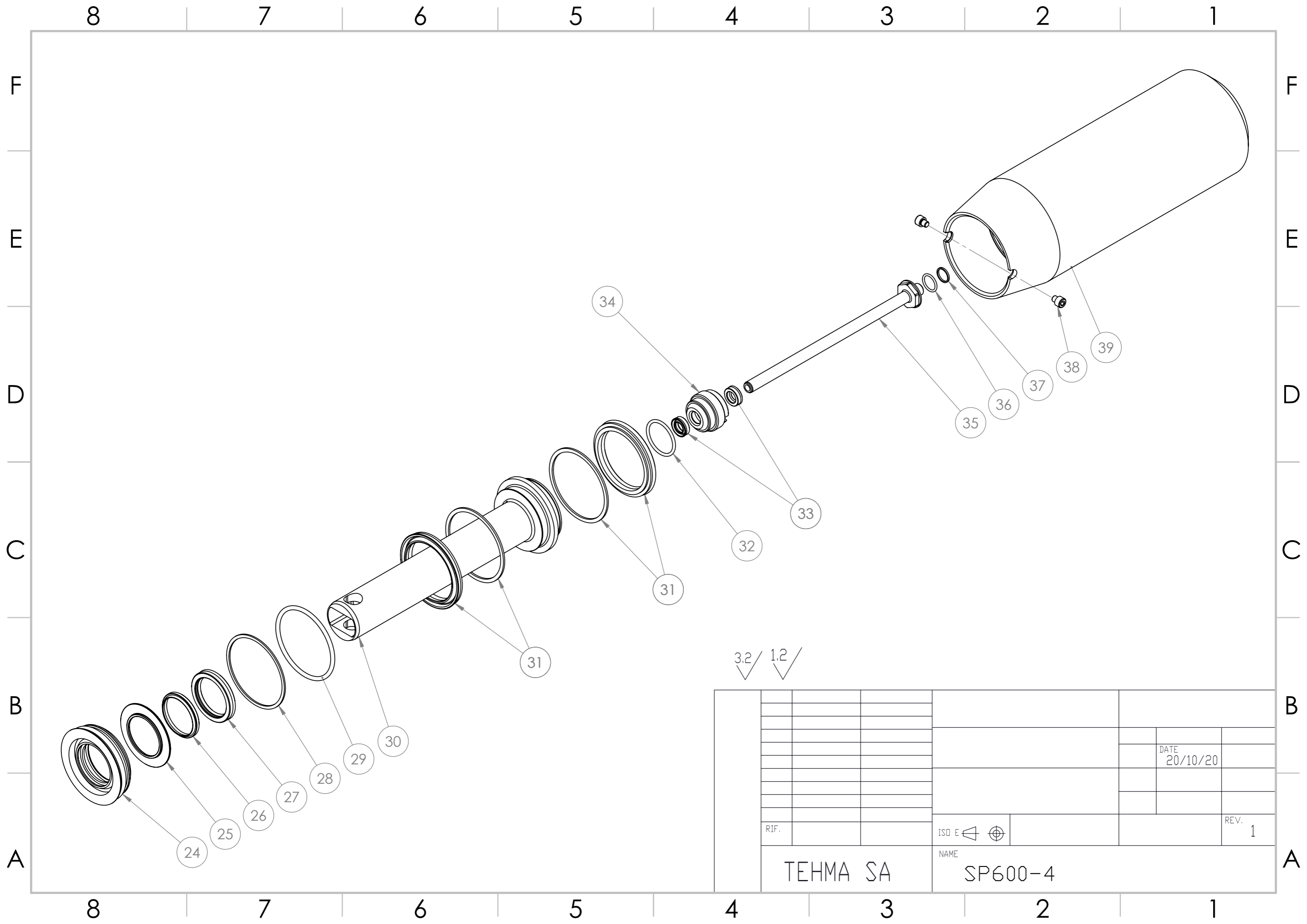
A

A



RIF.	TEHMA SA	ISD E		NAME	SP600-3	DATE	20/10/20	REV.	1

8 7 6 5 4 3 2 1



RIF.		ISD E		DATE 20/10/20	
TEHMA SA		NAME SP600-4		REV. 1	

3.2 / 1.2







**SP600 Part list ve.4 - Tehma SA**

<b>Spare part number</b>	<b>Code</b>	<b>Description</b>	<b>Quantity</b>	<b>Price Group</b>
1	TE3000009	Central wedge	1	XX
2	TE3000007	Pivot	1	14
3	TE1000309	Ball plunger M5	2	1
4	TE3000008	Guide ring	1	22
5	TE1000307	Elastic pin 3x14 UNI 6873	1	1
6	TE3000010	Counter wedge	2	XX
7	TE3000035	Cap M28	1	9
8	TE3000304	Screw TCE M8x40 (High strength)	4	1
9	TE3000012	Monoblock	1	37
10	TE3000002	Wedges fork	1	48
11	TE1000305	Screw M3x6 ISO 10642	4	1
12	TE3000040	Spring plate	2	14
13	TE1000039	Spring guide	2	20
14	TE1000306	Cylindrical pin 5x20	2	1
15	TE1000320	Self locking nut M6	2	1
16	TE1000502	Wedges return spring	2	5
17	TE1000501	Wedges spring	2	5
18	TE1000310	Nut M16x1,5 DIN 906	1	1
19	TE1000042	Handle insert	2	10
20	TE1000303	Screw TCE M6x30 (High strength)	4	1
21	TE1000033	Coated handle	1	16
22	TE3000034	Handle plate	1	21
23	TE3000302	Screw TCE M8X50 UNI 5931 (High strength)	4	1
24	TE3000004	Cylinder flange	1	23
25	TE3000005	Support ring	1	14
26	TE3000207	Stem scraper	1	15
27	TE3000211	Piston ring 55x70x10 T951	1	14
28	TE3000206	Ring 45° PTFE	1	3
29	TE3000204	O-ring 94.62x5.33 NBR93	1	9
30	TE3000027	Piston stem	1	42
31	TE3000208	Piston gasket 105x85x12 T951 + anti-extrusion	2	18
32	TE3000202	O-ring OR 42.86x3.53 NBR93	1	2
33	TE1000210	Feed pipe seal KS201 15*25*7 T950	2	14
34	TE3000028	Feed pipe ring	1	19
35	TE3000029	Feed pipe	1	30
36	TE1000200	O-ring 20,29*2,62 NBR93	1	2
37	TE1000030	Feed pipe anti-extrusion ring	1	10
38	TE1000304	Screw TCE M8X10 UNI 5931	2	1
39	TE3000001	Cylinder	1	45

40	TE3000303	Screw TCE M4x30	4	1
41	TE1000035	Base	2	15
42	TE651008	O-ring 108 8.73x1.78 NBR 93	2	2
43	TE1000003	Valves block	1	24
44	TE1000323	Screw TCE M6x45 UNI 5931	1	1
45	TE501028	Spring for distributor	4	1
46	TE651025	O-ring 6,75*1,78 NBR 93	5	1
47	TE701202	Piston d 9.9 + O-ring 2,5 x 6,8	4	6
48	TE651024	O-ring 3150 37,77x2,62 NBR 93	1	3
49	TE1000044	Distributor	1	16
50	TE611042	Needle roller AXK1528	1	3
51	TE611043	Washer AS1528	1	1
52	TE1000043	Distributor cover	1	18
53	TE501379	Screw M4 x 10	1	2
54	TE2000305	Screw TCE M8x25 (High strength)	6	1
55	TE611041	Ball 1/4"	1	1
56	TE631028	Ball spring 1/4	1	4
57	TE1000038	Command cam	1	15
58	TE1000318	Screw M5 x 8 UNI 5923-67	1	1
59	TE1000032	Rear handle	1	18
60	TE1000301	Screw TCE M10X60 UNI 5931	4	1
61	A161025	Female coupling 3/8	1	20
62	A161026	Male coupling 3/8	1	15
63	ED_TUBO	Pipe 1/2 SAE x 500	2	19
64	TE702646	Joint 1/4G-3/8G	2	9
65	TE651032	Bond washer	2	3
NOTE:	XX Identifies components with a different Price list			

TEHMA SA - Vicolo Concordia 1, 6932 Lugano Breganzona - Tel +41 (0)91 210 31 82